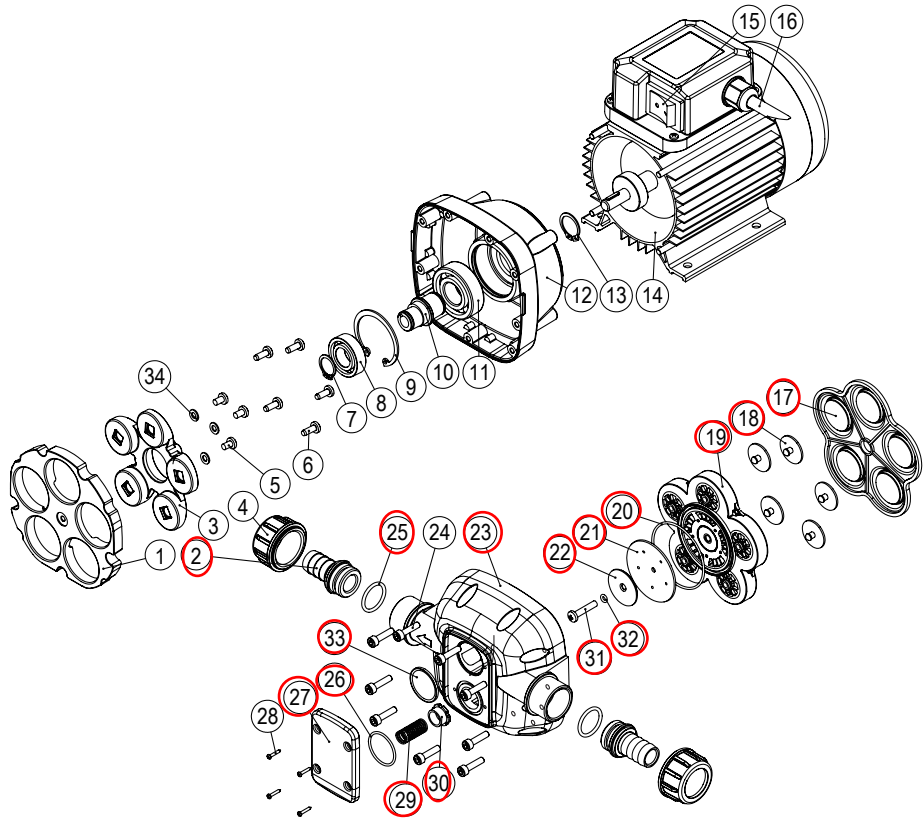


**UREA/DEF AC TRANSFER PUMP  
USER'S MANUAL**

**MODEL NUMBER  
17350250 & 17350251**



**L: DIAGRAM & PARTS LIST**

No.	Description	Qty.	No.	Description	Qty.	No.	Description	Qty.
1	Holder	1	13	Check Ring	1	25	O-Ring	2
2	Hose Tail	2	14	Motor	1	26	O-Ring	1
3	Nutating Disk	1	15	Switch	1	27	Plate	1
4	Nut	2	16	Power cable	1	28	Bolt	4
5	Bolt	3	17	Diaphragm	1	29	By-pass valve Spring	1
6	Bolt	5	18	One-way Diaphragm	5	30	Valve	1
7	Check Ring	1	19	Fluid Part	1	31	Bolt	1
8	Bearing	1	20	O-Ring	1	32	O-Ring	1
9	Check Ring	1	21	Diaphragm	1	33	Seal	1
10	Transmission Shaft	1	22	Plate	1	34	Washer	3
11	Bearing	1	23	Pump Cover	1			
12	Pump Base	1	24	Bolt	9			