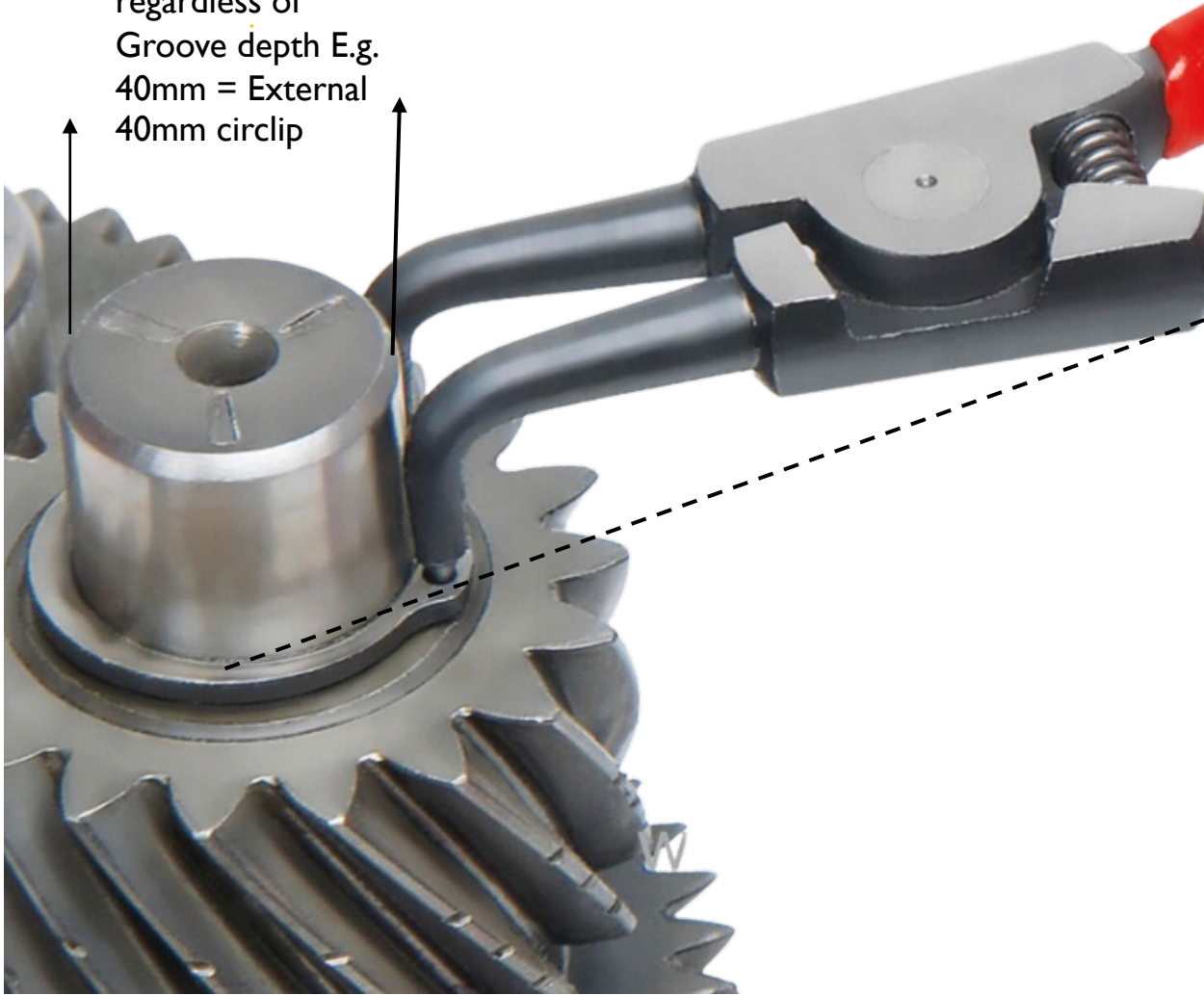
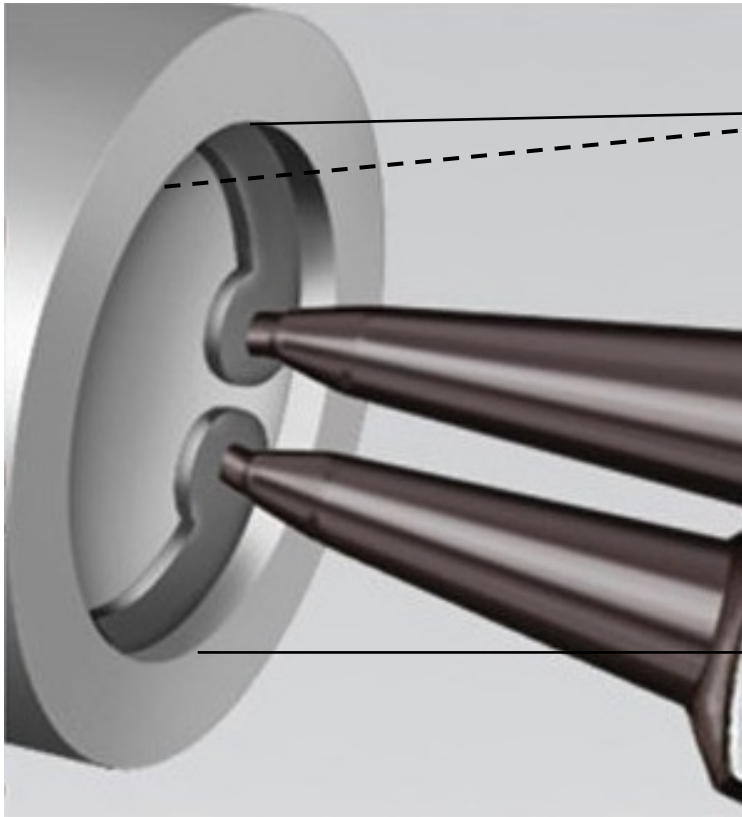


Shaft size
required only ,
regardless of
Groove depth E.g.
40mm = External
40mm circlip



- SHAFT SIZE. ALSO KNOWN AS OUTSIDE BORE AS WELL - CIRCLIP SHOWN IS REGARDED AS EXTERNAL OR SHAFT MOUNTED

*Request material type –
standard Spring steel and
Stainless Steel*



Housing size
required only ,
regardless of
Groove depth
E.g. 32mm =
Internal 32mm
circlip

- HOUSING SIZE. ALSO
KNOWN AS INSIDE
BORE AS WELL -
CIRCLIP SHOWN IS
REGARDED AS
INTERNAL CIRCLIP

*Request material type –
standard Spring steel and
Stainless Steel*

IN SHORT OUR METRIC CIRCLIP RANGE

- **External Circlips**
- - Finer uses 1400 the shaft size eg 40mm shaft 1400-040 A0100436
- -Champion do pack sizes as well
- **Internal Circlips**
- - Finer uses 1300 then Housing size eg 42mm shaft 1300-42 A0100329
- -Champion do pack size as well
- **NOTE**
- Stainless steel is available as well