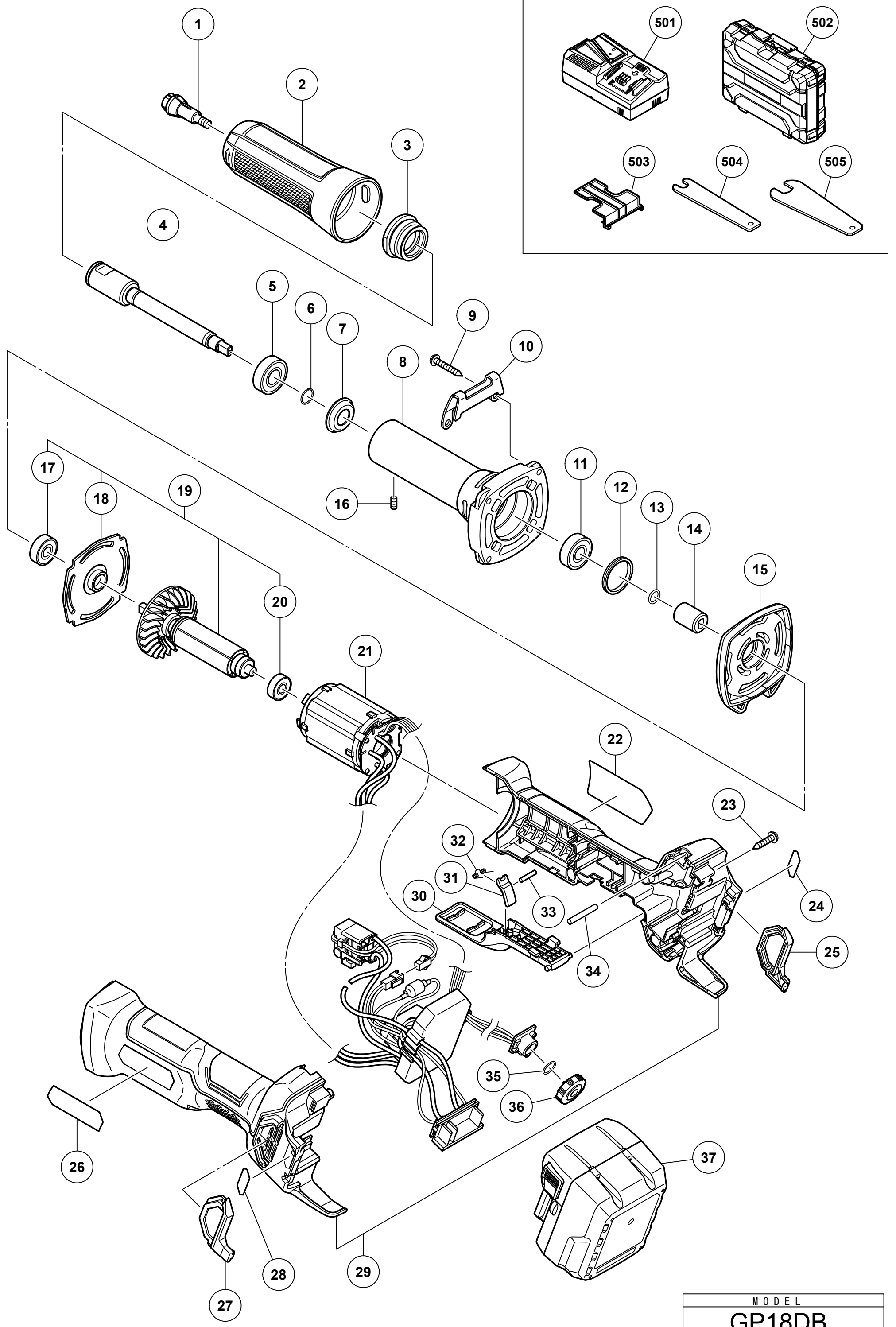


HIKOKI

CORDLESS DISC GRINDER GP18DB

Item No.	Code No.	Description	No. Used	Remarks
*1	333936	COLLET CHUCK 6MM	1	
*1	331422	COLLET CHUCK 1/4"	1	FOR AUS, USA, CAN
2	377342	FRONT COVER	1	
3	377340	BEARING LID (B)	1	
4	377348	SPINDLE	1	
5	6001VV	BALL BEARING 6001VV	1	
6	377351	RING	1	
7	377349	WASHER (A)	1	
8	377341	NOSE BRACKET	1	
9	305490	TAPPING SCREW (W/FLANGE) D4X30 (BLACK)	4	
10	317807	GUARD PLATE	1	
11	6000VV	BALL BEARING 6000VVCMP2L	1	
12	957754	RUBBER RING	1	
13	315382	O-RING (P-8)	1	
14	377350	COUPLING	1	
15	377399	INNER COVER	1	
16	981478	HEX. SOCKET SET SCREW M4X4	1	
17	338337	BALL BEARING 608SS	1	
18	334940	BEARING HOLDER	1	
19	361163	ROTOR ASS'Y	1	INCLUD. 17, 18, 20
20	376128	BALL BEARING 607DD	1	
21	341096	WIRING SET	1	
22		NAME PLATE	1	
23	328643	TAPPING SCREW (W/FLANGE) D4X23 (BLACK)	5	
24	377768	LABEL (B)	1	
25	372108	FILTER (B)	1	
26		BRAND LABEL	1	
27	372107	FILTER (A)	1	
28	377767	LABEL (A)	1	
29	377228	HOUSING (A).(B) SET	1	
30	372112	PADDLE LEVER	1	
31	337873	LOCK LEVER	1	
32	337874	SPRING	1	
33	339032	PIN	1	
34	338869	PIN	1	
35	987105	O-RING (S-10)	1	
36	372109	DIAL	1	
37	376029	BATTERY BSL 1850C (EUROPE, AUS, NZL)	2	INCLUD. 503
		STANDARD ACCESSORIES		
501		CHARGER (MODEL UC 18YFSL)	1	
502	377353	CASE	1	
503	329897	BATTERY COVER	2	
504	936553	WRENCH 12MM	1	
505	936638	WRENCH 17MM	1	
		OPTIONAL ACCESSORIES		
601	939101	MOUNTED WHEELS KA-2 D6 SHAFT (10 PCS.)	1	EXCEPT FOR USA, CAN
602	939102	MOUNTED WHEELS KA-3 D6 SHAFT (10 PCS.)	1	EXCEPT FOR USA, CAN
603	939103	MOUNTED WHEELS KA-4 D6 SHAFT (10 PCS.)	1	EXCEPT FOR USA, CAN
604	939104	MOUNTED WHEELS KA-5 D6 SHAFT (10 PCS.)	1	EXCEPT FOR USA, CAN
605	939106	MOUNTED WHEELS KA-7 D6 SHAFT (10 PCS.)	1	EXCEPT FOR USA, CAN
606	939107	MOUNTED WHEELS KA-8 D6 SHAFT (10 PCS.)	1	EXCEPT FOR USA, CAN
607	939108	MOUNTED WHEELS KA-9 D6 SHAFT (10 PCS.)	1	EXCEPT FOR USA, CAN
608	949023	MOUNTED WHEELS KA-11 D6 SHAFT (10 PCS.)	1	EXCEPT FOR USA, CAN

* ALTERNATIVE PARTS



MODEL
GP18DB