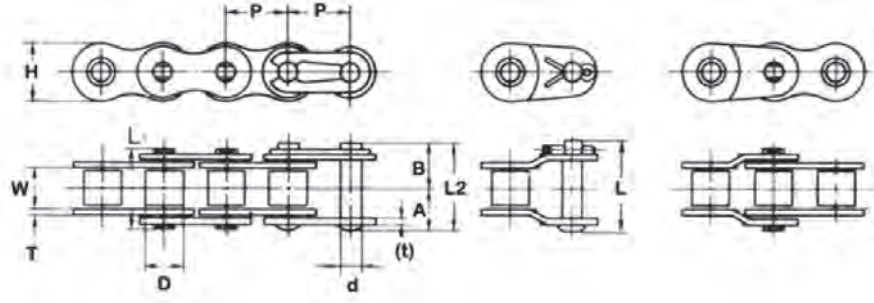


"Why compete against your supplier when you can be our partner"

Finer Power Transmissions stocks a range of economy Stainless Steel chain in British Standard, American Standard and Double Pitch.

This economy range of Stainless Steel chain offers a cost saving alternative to more expensive brands. Using SUS304 grade stainless steel in its construction, this chain is food grade quality.

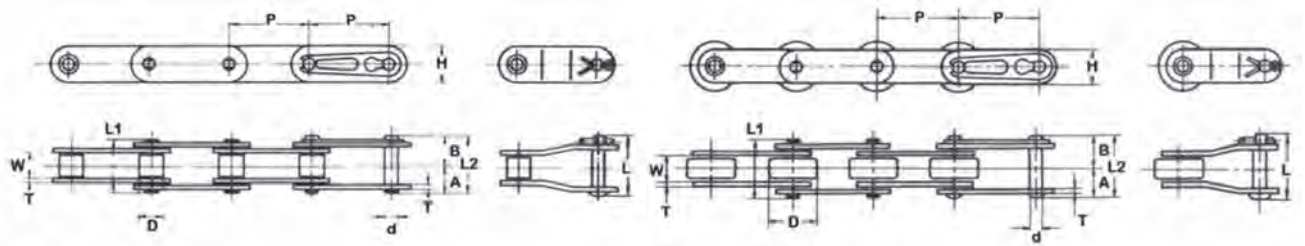


British Standard Stainless Steel

Chain	Pitch (P)	Inner Width (W)	Roller Dia. (D)	Pin						Offset		App. Kg/ft	Links Of 1 Unit
				Dia. (d)	A	B	(A+A) L1	(A+B) L2	Offset (L)	Thickness T(t)	Height (H)		
08B-1SS	12.70	7.75	8.51	4.45	8.17	9.58	16.35	17.75	19.30	1.5	11.7	0.2	240
10B-1SS	15.875	9.65	10.16	5.08	9.58	11.02	19.15	20.60	21.95	1.65	14.6	0.29	192
12B-1SS	19.05	11.68	12.07	5.72	11.05	12.55	22.10	23.60	26.30	1.8	16.0	0.38	160

American Standard Stainless Steel

Chain	Pitch (P)	Inner Width (W)	Roller Dia. (D)	Pin						Offset		App. Kg/ft	Links Of 1 Unit
				Dia. (d)	A	B	(A+A) L1	(A+B) L2	Offset (L)	Thickness (T)	Height (H)		
40-1SS	12.70	7.95	7.95	3.97	8.07	9.48	16.15	17.55	19.05	1.5	11.7	0.19	240
50-1SS	15.875	9.53	10.16	5.09	10.17	11.63	20.35	21.80	23.05	2.0	14.6	0.32	192
50-2SS	15.875	9.53	10.16	5.09	19.22	20.68	38.45	39.90	41.15	2.0	14.6	0.67	192
60-1SS	19.05	12.70	11.91	5.96	12.7	14.2	25.40	26.90	29.55	2.4	17.5	0.46	160



Chain	Pitch (P)	Inner Width (W)	Roller Dia. (D)	Pin						Offset		App. Kg/ft	Links Of 1 Unit
				Dia. (d)	A	B	(A+A) L1	(A+B) L2	Offset (L)	Thickness (T)	Height (H)		
C2040SS	25.40	7.95	7.95	3.97	8.07	10.28	16.15	18.35	19.05	1.5	11.7	0.15	120
C2042SS			15.88									.25	
C2050SS	31.75	9.53	10.16	5.09	10.17	12.13	20.35	22.30	23.05	2.0	14.6	.25	96
C2052SS			19.05									.39	
C2060HSS	38.10	12.70	11.91	5.96	14.35	17.05	28.76	31.40	32.85	3.2	17.5	.45	80
C2062HSS			22.23									.65	
C2080HSS	50.80	15.88	15.88	7.94	17.80	20.90	35.60	38.70	40.40	4.0	23.0	.63	60
C2082HSS			28.58									0.95	