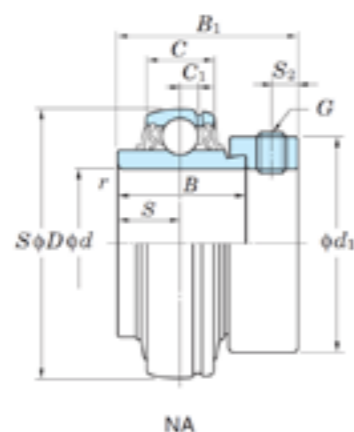
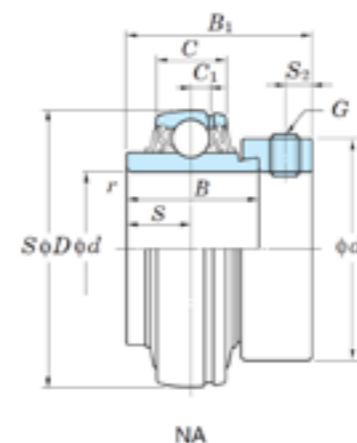


NA200 Series



NA200 Series



Shaft Dia		2.937Dimensions										Basic Load ratings kN		Factor	Bearing no.	Dimensions								Set Screw Brg. Bore		Mass kg
mm	inch	D		B		B1		C		r (min.)		Cr	COr	f 0		C1		S		S2		d1		G		
d		mm	inch	mm	inch	mm	inch	mm	inch	mm	inch					mm	inch	mm	inch	mm	inch	mm	inch	mm	inch	
	3/4	47	1.85	34.2	1.346	43.7	1.72	16	0.63	1	0.039	12.8	6.65	13.2	NA204-12	4	0.157	17.1	0.673	4.8	0.189	33.3	1.311	-	1/4-28UNF	0.23
20		47	1.85	34.2	1.346	43.7	1.72	16	0.63	1	0.039	12.8	6.65	13.2	NA204	4	0.157	17.1	0.673	4.8	0.189	33.3	1.311	M6x0.75	-	0.22
-	7/8	52	2.047	34.9	1.374	44.4	1.748	17	0.669	1	0.039	14	7.85	13.9	NA205-14	5	0.197	17.5	0.689	4.8	0.189	38.1	1.5	-	1/4-28UNF	0.27
	15/16	52	2.047	34.9	1.374	44.4	1.748	17	0.669	1	0.039	14	7.85	13.9	NA205-15	5	0.197	17.5	0.689	4.8	0.189	38.1			1/4-28UNF	0.29
	1	52	2.047	34.9	1.374	44.4	1.748	17	0.669	1	0.039	14	7.85	13.9	NA205-16	5	0.197	17.5	0.689	4.8	0.189	38.1	1.5	-	1/4-28UNF	0.25
25		52	2.047	34.9	1.374	44.4	1.748	17	0.669	1	0.039	14	7.85	13.9	NA205	5	0.197	17.5	0.689	4.8	0.189	38.1	1.5	M6x0.75	-	0.25
	1 1/8	62	2.441	36.5	1.437	48.4	1.906	19	0.748	1	0.039	19.5	11.3	13.9	NA206-18	5	0.197	18.3	0.72	6	0.236	44.5	1.752	-	5/16-24UNF	0.43
	1 3/16	62	2.441	36.5	1.437	48.4	1.906	19	0.748	1	0.039	19.5	11.3	13.9	NA206-19	5	0.197	18.3	0.72	6	0.236	44.5	1.752	-	5/16-24UNF	0.41
	1 1/4	62	2.441	36.5	1.437	48.4	1.906	19	0.748	1	0.039	19.5	11.3	13.9	NA206-20	5	0.197	18.3	0.72	6	0.236	44.5	1.752	-	5/16-24UNF	0.38
30		62	2.441	36.5	1.437	48.4	1.906	19	0.748	1	0.039	19.5	11.3	13.9	NA206	5	0.197	18.3	0.72	6	0.236	44.5	1.752	M8x1	-	0.41
	1 1/4	72	2.835	37.6	1.48	51.1	2.012	20	0.787	1.1	0.043	25.7	15.4	13.9	NA207-20	5.5	0.217	18.8	0.74	6.8	0.268	55.6	2.189	-	5/16-24UNF	0.68
	1 5/16	72	2.835	37.6	1.48	51.1	2.012	20	0.787	1.1	0.043	25.7	15.4	13.9	NA207-21	5.5	0.217	18.8	0.74	6.8	0.268	55.6	2.189	-	5/16-24UNF	0.65
	1 3/8	72	2.835	37.6	1.48	51.1	2.012	20	0.787	1.1	0.043	25.7	15.4	13.9	NA207-22	5.5	0.217	18.8	0.74	6.8	0.268	55.6	2.189	-	5/16-24UNF	0.61
	1 7/16	72	2.835	37.6	1.48	51.1	2.012	20	0.787	1.1	0.043	25.7	15.4	13.9	NA207-23	5.5	0.217	18.8	0.74	6.8	0.268	55.6	2.189	-	5/16-24UNF	0.58
35		72	2.835	37.6	1.48	51.1	2.012	20	0.787	1.1	0.043	25.7	15.4	13.9	NA207	5.5	0.217	18.8	0.74	6.8	0.268	55.6	2.189	M8x1	-	0.61
	1 1/2	80	3.15	42.8	1.685	56.3	2.217	21	0.827	1.1	0.043	29.1	17.8	14	NA208-24	6	0.236	21.4	0.843	6.8	0.268	60.3	2.374	-	5/16-24UNF	0.83
	1 9/16	80	3.15	42.8	1.685	56.3	2.217	21	0.827	1.1	0.043	29.1	17.8	14	NA208-25	6	0.236	21.4	0.843	6.8	0.268	60.3	2.374	-	5/16-24UNF	0.79
40		80	3.15	42.8	1.685	56.3	2.217	21	0.827	1.1	0.043	29.1	17.8	14	NA208	6	0.236	21.4	0.843	6.8	0.268	60.3	2.374	M8x1	-	0.78
	1 5/8	85	3.346	42.8	1.685	56.3	2.217	22	0.866	1.1	0.043	34.1	21.3	14	NA209-26	6	0.236	21.4	0.843	6.8	0.268	63.5	2.5	-	5/16-24UNF	0.96
	1 11/16	85	3.346	42.8	1.685	56.3	2.217	22	0.866	1.1	0.043	34.1	21.3	14	NA209-27	6	0.236	21.4	0.843	6.8	0.268	63.5	2.5	-	5/16-24UNF	0.91
	1 3/4	85	3.346	42.8	1.685	56.3	2.217	22	0.866	1.1	0.043	34.1	21.3	14	NA209-28	6	0.236	21.4	0.843	6.8	0.268	63.5	2.5	-	5/16-24UNF	0.87
45		85	3.346	42.8	1.685	56.3	2.217	22	0.866	1.1	0.043	34.1	21.3	14	NA209	6	0.236	21.4	0.843	6.8	0.268	63.5	2.5	M8x1	-	0.85
	1 7/8	90	3.543	49.2	1.937	62.7	2.469	24	0.945	1.1	0.043	35.1	23.3	14.4	NA210-30	6	0.236	24.6	0.969	6.8	0.268	69.9	2.752	-	5/16-24UNF	1.08
	1 15/16	90	3.543	49.2	1.937	62.7	2.469	24	0.945	1.1	0.043	35.1	23.3	14.4	NA210-31	6	0.236	24.6	0.969	6.8	0.268	69.9	2.752	-	5/16-24UNF	1.04
	2	90	3.543	49.2	1.937	62.7	2.469	24	0.945	1.1	0.043	35.1	23.3	14.4	NA210-32	6	0.236	24.6	0.969	6.8	0.268	69.9	2.752	-	5/16-24UNF	0.99
50		90	3.543	49.2	1.937	62.7	2.469	24	0.945	1.1	0.043	35.1	23.3	14.4	NA210	6	0.236	24.6	0.969	6.8	0.268	69.9	2.752	M8x1	-	1.01
	2	100	3.937	55.5	2.185	71.4	2.811	25	0.984	1.5	0.059	43.4	29.4	14.4	NA211-32	7	0.276	27.8	1.094	8	0.315	76.2	3	-	3/8-24UNF	1.58
	2 3/16	100	3.937	55.5	2.185	71.4	2.811	25	0.984	1.5	0.059	43.4	29.4	14.4	NA211-35	7	0.276	27.8	1.094	8	0.315	76.2	3	-	3/8-24UNF	1.36
55		100	3.937	55.5	2.185	71.4	2.811	25	0.984	1.5	0.059	43.4	29.4	14.4	NA211	7	0.276	27.8	1.094	8	0.315	76.2	3	M10x1.25	-	1.39
	2 1/4	110	4.331	61.9	2.437	77.8	3.063	27	1.063	1.5	0.059	52.4	36.2	14.4	NA212-36	7.5	0.295	31	1.22	8	0.315	84.2	3.315	-	3/8-24UNF	2.03
60		110	4.331	61.9	2.437	77.8	3.063	27	1.063	1.5	0.059	52.4	36.2	14.4	NA212	7.5	0.295	31	1.22	8	0.315	84.2	3.315	M10x1.25	-	1.87
	2 1/2	120	4.724	68.2	2.685	85.7	3.374	28	1.102	1.5	0.059	57.2	40.1	14.4	NA213-40	7.5	0.295	34.1	1.343	8.5	0.335	92	3.622	-	3/8-24UNF	2.51
65		120	4.724	68.2	2.685	85.7	3.374	28	1.102	1.5	0.059	57.2	40.1	14.4	NA213	7.5	0.295	34.1	1.343	8.5	0.335	92	3.622	M10x1.25	-	2.45
-	2 3/4	125	4.921	68.2	2.685	85.7	3.374	28	1.102	1.5	0.059	62.2	44.1	14.5	NA214-44	9	0.345	34.1	1.343	8.5	0.335	97	3.819	-	3/8-24UNF	2.94
70		125	4.921	68.2	2.685	85.7	3.374	28	1.102	1.5	0.059	62.2	44.1	14.5	NA214	9	0.345	34.1	1.343	8.5	0.335	97	3.819	M10x1.25	-	2.92
	3	130	5.118	74.6	2.937	92.1	3.626	32	1.260	1.5	0.059	67.4	48.3	14.5	NA215-48	9	0.345	37.3	1.469	8.5	0.335	102	4.016	-	3/8-24UNF	2.72
75		130	5.118	74.6	2.937	92.1	3.626	32	1.260	1.5	0.059	67.4	48.3	14.5	NA215	9	0.345	37.3	1.469	8.5	0.335	102	4.016	M10x1.25	-	2.74