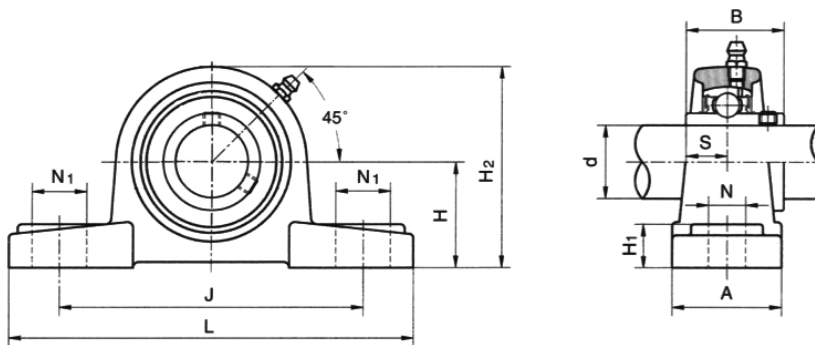


T2

T2 Series

Part No.	Basic Dimensions (mm)																N.W. (kg)
	d	L	L1	L2	L3	N	N1	N2	H	H1	H2	A	A1	A2	S	B	
T204	20	94	61	10	51	19	32	16	89	76	51	32	12	21	12.7	31.0	0.60
T205	25	97	62	10	51	19	32	16	89	76	51	32	12	24	14.3	34.1	0.66
T206	30	113	70	10	57	22	37	16	102	89	56	37	12	28	15.9	38.1	0.95
T207	35	129	78	13	64	22	37	16	102	89	64	37	12	30	17.5	42.9	1.16
T208	40	144	88	16	83	29	49	19	114	102	83	49	16	33	19.0	49.2	1.65
T209	45	144	87	16	83	29	49	19	117	102	83	49	16	35	19.0	49.2	1.70
T210	50	149	90	16	86	29	49	19	117	102	83	49	16	37	19.0	51.6	1.69
T211	55	171	106	19	95	35	64	25	146	130	102	64	22	38	22.2	55.6	2.74
T212	60	194	119	19	102	35	64	32	146	130	102	64	22	42	25.4	65.1	3.26



PX

PX Series

Part No.	Basic Dimensions (mm)											N.W. (kg)
	d	H	L	J	A	N	N1	H1	H2	S	B	
PX05	25	44.4	159	119	51	17	25	18	85	15.9	38.1	1.38
PX06	30	47.6	175	127	57	17	25	20	94	17.5	42.9	1.77
PX07	35	54.0	203	144	57	17	30	22	105	19.0	49.2	2.25
PX08	40	58.7	222	156	67	20	32	26	113	19.0	49.2	2.85
PX09	45	58.7	222	156	67	20	33	26	116	19.0	51.6	3.04
PX10	50	63.5	241	171	73	20	37	27	126	22.2	55.6	3.77
PX12	60	76.2	286	203	83	25	41	32	151	30.2	74.6	6.18