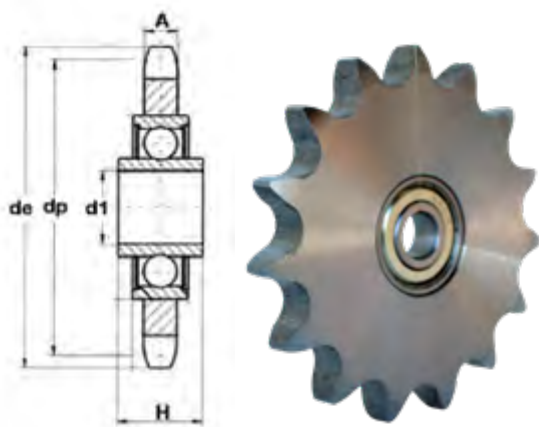


Idler Sprocket (to suit tensioner arm)



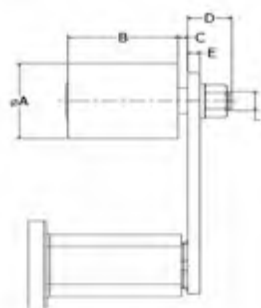
Idler Sprockets in conjunction with Tensioners provide an efficient solution to maintaining smooth running drives, inhibiting the effects of chain stretch and ensuring chains don't jump their drives.

These prefabricated Idler Sprockets employ a standard precision roller bearing.

Available in a range of sizes with pins to suit, this range of Idler Sprockets are designed for use in conjunction with the SE Series Tensioners.

Part No	Pitch	Teeth	de	dp	A	D1	Bolt	H
SE15/SE18-06B-15	3/8"	15	49.5	45.8	5.3	10	10X55	9
SE15/SE18-08B-15	1/2"	15	65.9	61.1	7.2	10	10X55	9
SE27-08B-15	1/2"	15	65.9	61.1	7.2	12	12X80	9
SE27-10B-15	5/8"	15	83.2	76.4	9.1	12	12X80	10
SE27-12B-15	3/4"	15	99.8	91.6	11.1	12	12X80	11.1
SE38-10B-15	5/8"	15	83.2	76.4	9.1	20	20X100	14
SE38-12B-15	3/4"	15	99.8	91.6	11.1	20	20X100	14
SE38-16B-13	1"	13	117.7	106.1	16.2	20	20X100	16
SE45-20B-13	1-1/4"	13	147.5	132.7	18.5	20	20X130	18

Belt Roller (to suit tensioner arm)



Part No	Max Speed	Max Belt Width	A	B	C	D	E	F	Weight
	RPM								
SE11-BT30X35	8000	30	30	35	2	14	5	M8	0.08
SE15/18-BT40X45	8000	40	40	45	6	16	7	M10	0.17
SE27-BT60X60	6000	55	60	60	8	17	8	M12	0.4
SE38-BT80X90	5000	85	80	90	8	25	10	M20	1.15
SE45-BT80X135	4500	130	90	135	10	27	12	M20	1.75

Dimensions are in mm.