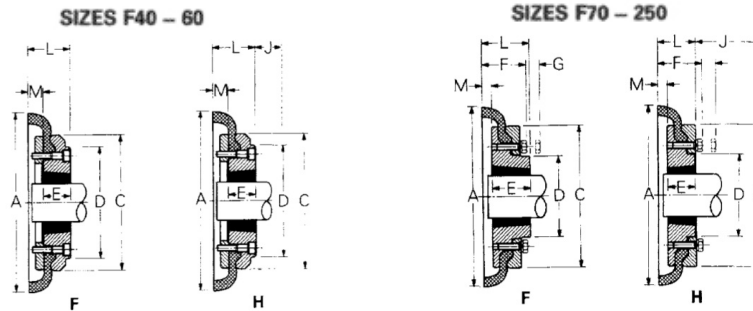


Flexible Tyre Coupling

Finer stock a range of the highly flexible Tyre Couplings. Consisting of two flanges, the two halves are joined by a rubber tyre. The tyre itself is torsionally soft and flexible; this allows the Tyre Coupling to compensate for large amounts of shock loading and backlash, as well as both parallel and axial misalignment. Finer also stocks selected sizes in the Fire Resistant Anti-Static (FRAS) compound for those certain sensitive environments.

Highly Flexible

Compensates for misalignment, up to; 4° angular, 6mm parallel, 8mm axial.
Torsional flexibility of up to 12°, at max. torque.



Size	Power @ 100 rpm in Kw	Nominal Torque	Max. Speed rpm	Bore B		Bush Size		Max. Misalignment		End Float (mm)
				Max.	Min.	Bush F	Bush H	Parallel	Angular	
T4	0.26	25	4500	25	10	1008	1008	1.1	4	1.3
T5	0.69	66	4500	32	11	1210	1210	1.3	4	1.7
T6	1.33	127	4000	42	14	1610	1610	1.6	4	2
T7	2.62	250	3600	50	14	2012	1610	1.9	4	2.3
T8	3.93	375	3100	65	14	2517	2012	2.1	4	2.6
T9	5.24	500	3000	65	16	2517	2517	2.4	4	3
T10	7.07	675	2600	75	16	3020	2517	2.6	4	3.3
T11	9.20	875	2300	75	24	3020	3020	2.9	4	3.7
T12	13.9	1300	2050	100	24	3525	3020	3.2	4	4
T14	24.3	2320	1800	100	35	3525	3525	3.7	4	4.6
T16	39.4	3770	1600	115	40	4030	4030	4.2	4	5.3
T18	65.7	6270	1500	125	55	4535	4535	4.8	4	6
T20	121.0	11 600	1100	OA	OA	5040	5040	5.8	4	7.3
T22	121.0	9325	1300	125	55	5040	5040	5.3	4	6.6

Size	A	C	D	E		F	L		G	J	M	Kg	
				F	H		F	H				F	H
T4	104	82	-	22	22	-	33.5	33.5	N/A	29	11	0.8	0.8
T5	133	100	79	25	25	-	38	38	N/A	38	12.5	1.2	1.2
T6	165	125	103	25	25	-	42	42	N/A	36	16.5	2.0	2.0
T7	187	144	80	32	25	50	44	42	13	36	11.5	3.1	3.0
T8	211	167	98	45	32	54	58	45	16	42	12.5	4.9	4.6
T9	235	188	108	45	45	60	59	59	16	48	13.5	7.0	7.0
T10	254	216	120	51	45	62	65	59	16	48	13.5	9.9	9.4
T11	279	233	134	51	51	62	63.5	63.5	16	55	12.5	11.7	11.7
T12	314	264	140	65	51	67	78.5	65.5	16	67	14.5	16.5	16.9
T14	359	311	178	65	65	73	81	81	14	67	16	22.3	22.3
T16	402	345	197	77	77	78	92	92	16	80	15	32.5	32.5
T18	470	398	205	90	90	94	112	112	19	89	23	42.2	42.2
T20	562	474	223	20	20	118	118	118	20	92	27.5	72.0	72.0
T22	474	223	118	20	20	118	129.5	102	20	92	27.5	72.0	72.0