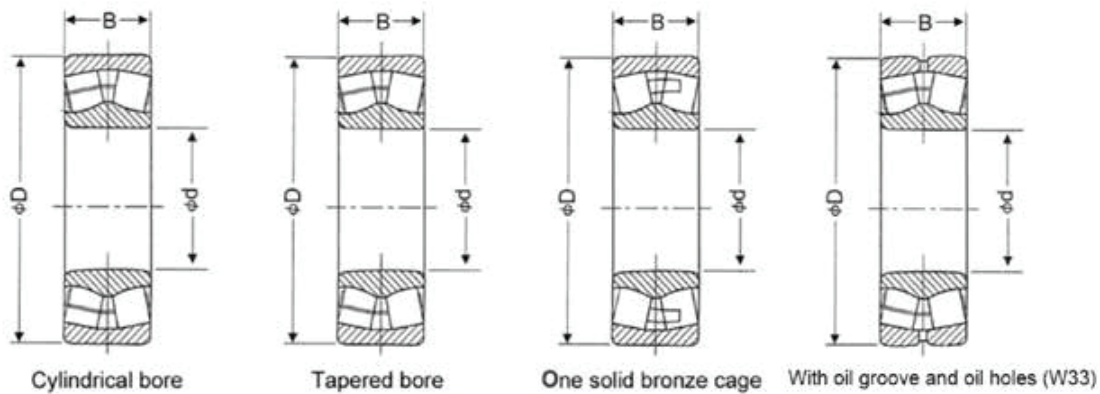
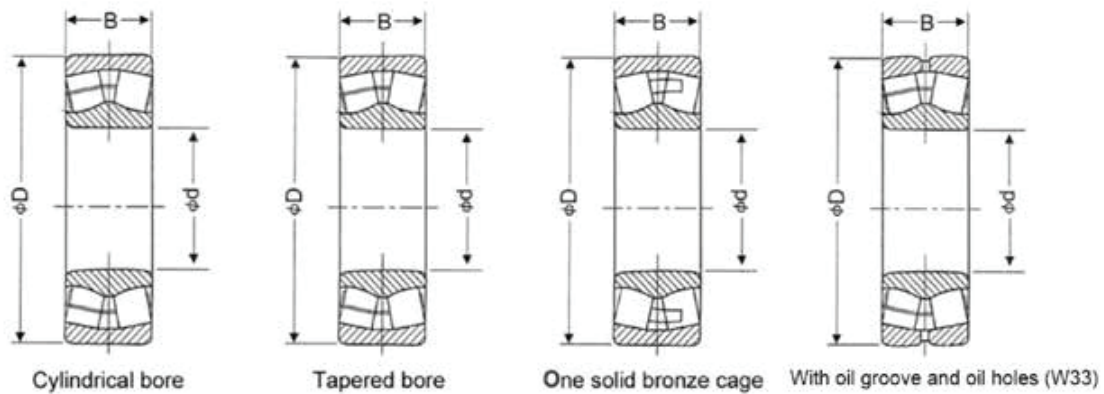


Part No.		d (mm)	D (mm)	B (mm)	Dynamic load (kN)	Static load (kN)	N.W. (kg)
Cylindrical bore	Tapered bore						
22206CA/C3/W33	22206CAK/C3/W33	30	62	20	61.0	65.0	0.30
22207CA/C3/W33	22207CAK/C3/W33	35	72	23	81.0	89.0	0.46
22208CA/C3/W33	22208CAK/C3/W33	40	80	23	90.5	102.0	0.56
22209CA/C3/W33	22209CAK/C3/W33	45	85	23	95.5	110.0	0.61
22210CA/C3/W33	22210CAK/C3/W33	50	90	23	102.0	122.0	0.65
22211CA/C3/W33	22211CAK/C3/W33	55	100	25	123.0	144.0	0.88
22212CA/C3/W33	22212CAK/C3/W33	60	110	28	151.0	179.0	1.20
22213CA/C3/W33	22213CAK/C3/W33	65	120	31	177.0	209.0	1.56
22214CA/C3/W33	22214CAK/C3/W33	70	125	31	185.0	220.0	1.65
22215CA/C3/W33	22215CAK/C3/W33	75	130	31	191.0	234.0	1.74
22216CA/C3/W33	22216CAK/C3/W33	80	140	33	215.0	269.0	2.19
22217CA/C3/W33	22217CAK/C3/W33	85	150	36	255.0	320.0	2.75
22218CA/C3/W33	22218CAK/C3/W33	90	160	40	294.0	375.0	3.50
22219CA/C3/W33	22219CAK/C3/W33	95	170	43	335.0	420.0	4.24
22220CA/C3/W33	22220CAK/C3/W33	100	180	46	375.0	480.0	5.10
22222CA/C3/W33	22222CAK/C3/W33	110	200	53	490.0	640.0	7.36
22224CA/C3/W33	22224CAK/C3/W33	120	215	58	565.0	765.0	9.28
22226CA/C3/W33	22226CAK/C3/W33	130	230	64	655.0	915.0	11.60
22228CA/C3/W33	22228CAK/C3/W33	140	250	68	755.0	1030.0	13.90
22230CA/C3/W33	22230CAK/C3/W33	150	270	73	864.0	1200.0	18.90
22232CA/C3/W33	22232CAK/C3/W33	160	290	80	885.0	1330.0	23.70
22234CA/C3/W33	22234CAK/C3/W33	170	310	86	1100.0	1400.0	30.00
22308CA/C3/W33	22308CAK/C3/W33	40	90	33	135	151	1.07
22309CA/C3/W33	22309CAK/C3/W33	45	100	36	165	182	1.41
22310CA/C3/W33	22310CAK/C3/W33	50	110	40	203	235	1.92
22311CA/C3/W33	22311CAK/C3/W33	55	120	43	235	263	2.40
22312CA/C3/W33	22312CAK/C3/W33	60	130	46	281	330	3.05

Spherical Roller Bearings



Part No.		d (mm)	D (mm)	B (mm)	Dynamic load (kN)	Static load (kN)	N.W. (kg)
Cylindrical bore	Tapered bore						
22313CA/C3/W33	22313CAK/C3/W33	65	140	48	300	355	3.67
22314CA/C3/W33	22314CAK/C3/W33	70	150	51	345	415	4.45
22315CA/C3/W33	22315CAK/C3/W33	75	160	55	395	475	5.44
22316CA/C3/W33	22316CAK/C3/W33	80	170	58	430	520	6.42
22317CA/C3/W33	22317CAK/C3/W33	85	180	60	480	585	7.46
22318CA/C3/W33	22318CAK/C3/W33	90	190	64	535	660	8.82
22319CA/C3/W33	22319CAK/C3/W33	95	200	67	585	725	10.20
22320CA/C3/W33	22320CAK/C3/W33	100	215	73	700	875	13.10
22322CA/C3/W33	22322CAK/C3/W33	110	240	80	825	1040	18.10
22324CA/C3/W33	22324CAK/C3/W33	120	260	86	897	1130	22.60
22326CA/C3/W33	22326CAK/C3/W33	130	280	93	1050	1340	28.40
22328CA/C3/W33	22328CAK/C3/W33	140	300	102	1110	1520	35.90
22330CA/C3/W33	22330CAK/C3/W33	150	320	108	1270	1740	43.30
23024CA/C3/W33	23024CAK/C3/W33	120	180	46	310	515	4.20
23026CA/C3/W33	23026CAK/C3/W33	130	200	52	400	660	6.14
23028CA/C3/W33	23028CAK/C3/W33	140	210	53	420	710	6.61
23030CA/C3/W33	23030CAK/C3/W33	150	225	56	460	790	8.01
23032CA/C3/W33	23032CAK/C3/W33	160	240	60	530	915	9.74
23034CA/C3/W33	23034CAK/C3/W33	170	260	67	630	1080	13.10
23036CA/C3/W33	23036CAK/C3/W33	180	280	74	773	1330	17.40
23038CA/C3/W33	23038CAK/C3/W33	190	290	75	760	1330	18.40
23120CA/C3/W33	23120CAK/C3/W33	100	165	52	325	500	4.49
23122CA/C3/W33	23122CAK/C3/W33	110	180	56	390	610	5.70
23124CA/C3/W33	23124CAK/C3/W33	120	200	62	485	720	7.90
23126CA/C3/W33	23126CAK/C3/W33	130	210	64	497	799	8.60
23128CA/C3/W33	23128CAK/C3/W33	140	225	68	568	940	10.50
23130CA/C3/W33	23130CAK/C3/W33	150	250	80	722	1230	16.20



Part No.		d (mm)	D (mm)	B (mm)	Dynamic load (kN)	Static load (kN)	N.W. (kg)
Cylindrical bore	Tapered bore						
23218CA/C3/W33	23218CAK/W33	90	160	52.4	337	482	4.57
23220CA/C3/W33	23220CAK/C3/W33	100	180	60.3	427	629	6.76
23222CA/C3/W33	23222CAK/C3/W33	110	200	69.8	538	793	9.60
23224CA/C3/W33	23224CAK/C3/W33	120	215	76	620	956	12.00
23226CA/C3/W33	23226CAK/C3/W33	130	230	80	705	1090	14.20
23228CA/C3/W33	23228CAK/C3/W33	140	250	88	814	1290	18.80
23230CA/C3/W33	23230CAK/C3/W33	150	270	96	961	1540	24.20
23232CA/C3/W33	23232CAK/C3/W33	160	290	104	1080	1710	30.40
23234CA/C3/W33	23234CAK/C3/W33	170	310	110	1240	1970	37.00
24022CA/C3/W33	24022CAK/C3/W33	110	170	60	39	58	5.50
24024CA/C3/W33	24024CAK/C3/W33	120	180	60	388	683	5.36
24026CA/C3/W33	24026CAK/C3/W33	130	200	69	510	900	7.93
24028CA/C3/W33	24028CAK/C3/W33	140	210	69	510	920	8.40
24030CA/C3/W33	24030CAK/C3/W33	150	225	72	580	1060	10.50
24120CA/C3/W33	24120CAK/C3/W33	100	165	65	42	60	6.50
24122CA/C3/W33	24122CAK/C3/W33	110	180	69	455	743	6.89
24124CA/C3/W33	24124CAK/C3/W33	120	200	80	586	970	10.00
24126CA/C3/W33	24126CAK/C3/W33	130	210	80	604	1030	10.70
24128CA/C3/W33	24128CAK/C3/W33	140	225	85	685	1180	13.00
24130CA/C3/W33	24130CAK/C3/W33	150	250	100	888	1520	19.60

SPHERICAL ROLLER BEARINGS SHAKER'S SCREEN TYPE FOR VIBRATION APPLICATION

Note: A bigger range is available to be ordered in from overseas.

Part No.	d (mm)	D (mm)	B (mm)	Dynamic load (kN)	Static load (kN)	N.W. (kg)
22324VM/C4/W33	120	260	86	897	1130	22.60
22328VM/C4/W33	140	300	102	1110	1520	35.90
22328EMB/W33/VA4	150	320	108	1270	1740	43.30