

# Inlaid Linear Rod Ends with Female Thread

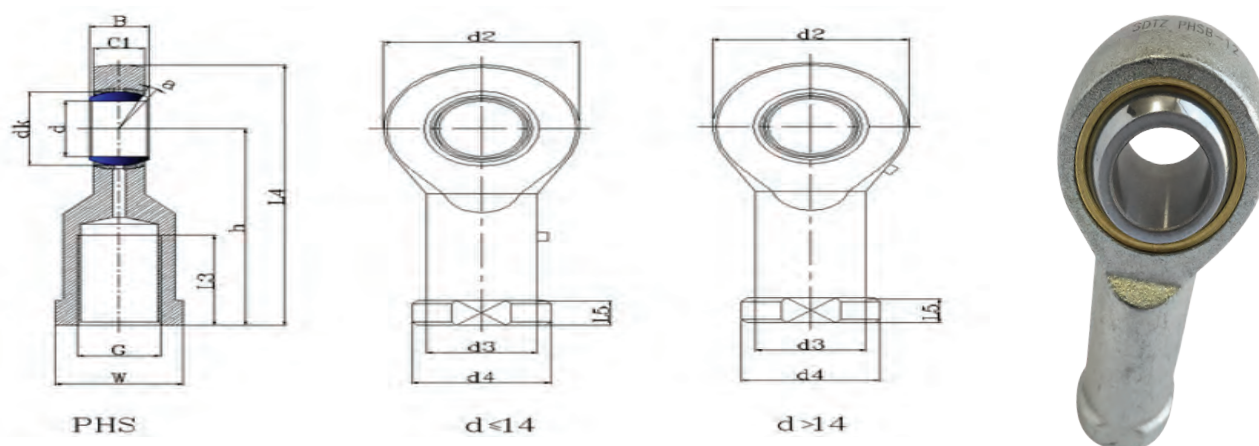


SDTZ Rod Ends are manufactured with a bronze liner on the spherical surface of the outer ring and a chromium liner on the surface of the inner ring.

The surface of the rod body is zinc plated and the housing containing a lubrication hole or grease nipple.

Sliding surfaces are bronze and steel.

All rod ends are available in either left or right hand thread (Add the suffix 'L' for left hand thread).



## PHS Series

Bearing Number	Dimensions															Load ratings(KN)		Weight (kg)
	d	B	dk	C1	d2	G	h	L3	L4	L5	W	d3	d4	a° ≈	Dynamic	Static		
PHS3	3	6	7.93	4.5	14	M3*0.5	21	10	28	3.3	7	6.8	8.5	14	1.8	3.7	0.008	
PHS4	4	7	9.53	5.3	16	M4*0.7	24	10	32	4	8	7.8	9.5	13	2.5	4.6	0.013	
PHS5	5	8	11.11	6	16	M5*0.8	27	10	35	4	9	8.5	11	13	3.3	5.7	0.016	
PHS6	6	9	12.70	6.75	18	M6*1.0	30	12	39	5	11	10.0	13	13	4.3	7.2	0.022	
PHS8	8	12	15.88	9	22	M8*1.25	36	16	47	5	14	12.5	16	14	7.2	11.6	0.047	
PHS10	10	14	19.05	10.5	26	M10*1.5	43	20	56	6.5	17	15.0	19	13	10	14.5	0.077	
PHS10-1.25	10	14	19.05	10.5	26	M10*1.25	43	20	56	6.5	17	15.0	19	13	10	14.5	0.077	
PHS12	12	16	22.23	12	30	M12*1.75	50	22	65	6.5	19	17.5	22	13	13.4	17	0.10	
PHS12-1.25	12	16	22.23	12	30	M12*1.25	50	22	65	6.5	19	17.5	22	13	13.4	17	0.10	
PHS14	14	19	25.40	13.5	34	M14*2.0	57	25	74	8	22	20.0	25	16	17	24	0.16	
PHS16	16	21	28.58	15	40	M16*2.0	64	28	84	8	24	22.0	27	15	21.6	28.5	0.22	
PHS16-1.5	16	21	28.58	15	40	M16*1.5	64	28	84	8	24	22.0	27	15	21.6	28.5	0.22	
PHS18	18	23	31.75	16.5	44	M18*1.5	71	32	93	10	27	25.0	31	15	26	42.5	0.32	
PHS20	20	25	34.93	18	50	M20*1.5	77	33	102	10	30	27.5	34	14	31.5	42.5	0.42	
PHS22	22	28	38.10	20	54	M22*1.5	84	37	111	12	32	30.0	38	15	38	57	0.54	
PHS25	25	31	42.85	22	60	M24*2.0	94	42	124	12	36	33.5	42	15	47.5	68	0.73	