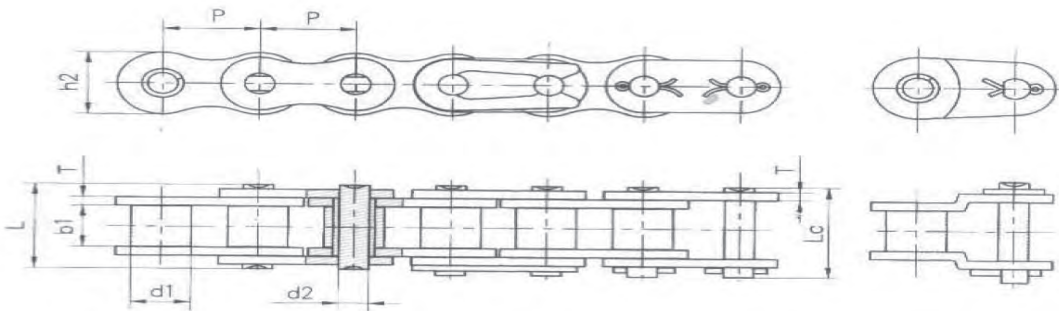
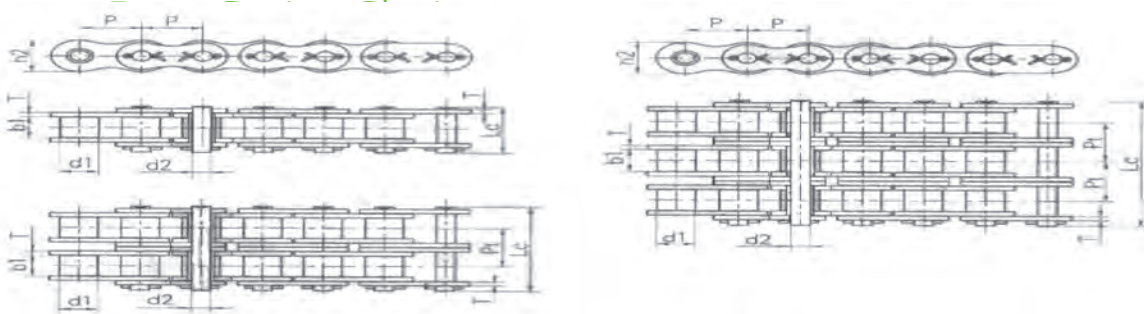


"Why compete against your supplier when you can be our partner"

Simplex Roller Chain



Chain No.	Pitch	Roller diameter	Width between inner plates	Pin diameter	Pin length		Inner plate depth	Plate thickness	Ultimate tensile strength	Average tensile strength	Weight per meter
	p	d1 max	b1 min	d2 max	L max	Lc max	h2 max	T max			
	mm	mm	mm	mm	mm	mm	mm	mm			
40	12.70	7.95	7.85	3.96	16.60	17.80	12.00	1.50	14.10/3205	17.5	0.62
50	15.875	10.16	9.40	5.08	20.70	22.20	15.09	2.03	22.20/5045	29.4	1.02
60	19.05	11.91	12.57	5.94	25.90	27.70	18.00	2.42	31.80/7227	41.5	1.50
80	25.40	15.88	15.75	7.92	32.70	35.00	24.00	3.25	56.70/12886	69.4	2.60
08B-1	12.700	8.51	7.75	4.45	16.70	18.20	11.80	1.60	18.00	19.40	0.69
10B-1	15.875	10.16	9.65	5.08	19.50	20.90	14.70	1.70	22.40	27.50	0.93
12B-1	19.050	12.07	11.68	5.72	22.50	24.20	16.00	1.85	29.00	32.20	1.15
16B-1	25.400	15.88	17.02	8.28	36.10	37.40	21.00	4.15/3.1	60.00	72.80	2.71



Chain No.	Pitch	Roller diameter	Width between inner plates	Pin diameter	Pin length	Inner plate height	Plate thickness	Ultimate tensile strength	Average tensile strength	Weight per meter
	p	d1 max	b1 min	d2 max	L max	h2 max	T max			
	mm	mm	mm	mm	mm	mm	mm			
50H	15.875	10.16	9.40	5.08	24.4	15.09	2.42	22.2/5045	30.2	1.25
60H	19.05	11.91	12.57	5.94	31.6	18.00	3.25	31.8/7227	42.7	1.87
80H	25.40	15.88	15.75	7.92	39.4	24.00	4.00	56.7/12886	71.4	3.10