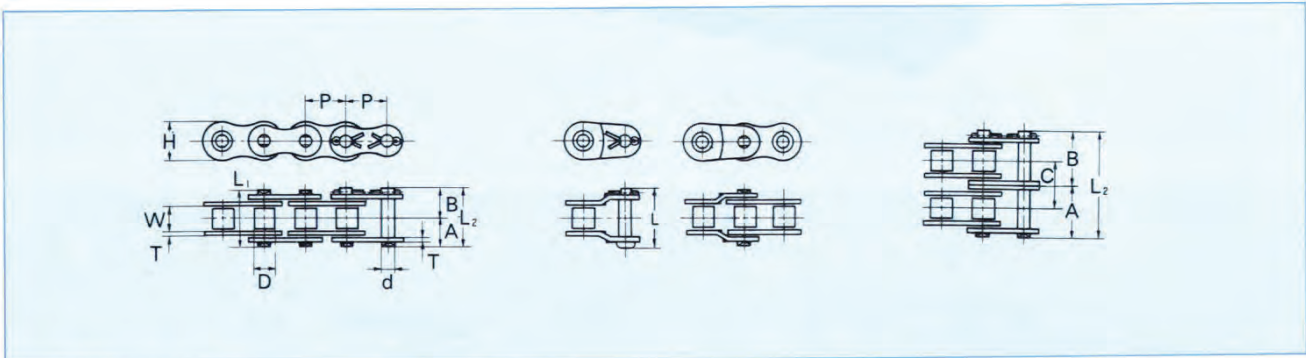


H-Type Roller Chain



KCM H-type roller chains are designed for heavy-duty operation thickening the link plate of standard roller chains and using high-strength pins.



Dimensions (millimeters)

KCM Chain Number	Pitch P	Width between inner plates W	Roller diameter D	Pin						Link plate		Transverse pitch C	Average Tensile strength kgf (kN)	Maximum Allowable Load kgf (kN)	Approx weight (kg/m)	Links of 1 unit
				Diameter d	A	B	(A + A) L ₁	(A + B) L ₂	Offset L	Thick-ness T	Height H					
KCM 40H	12.70	7.95	7.95	3.97	9.05	10.55	18.10	19.60	21.00	2.0	11.7	16.4	2,400 (23.5)	400 (3.92)	0.73	240
KCM 40H-2					17.25	18.75	34.50	36.00	37.40				4,800 (47.0)	680 (6.67)	1.45	
KCM 50H	15.875	9.53	10.16	5.09	10.98	12.42	21.95	23.40	24.65	2.4	14.6	19.6	3,700 (36.2)	670 (6.57)	1.43	192
KCM 50H-2					20.78	22.22	41.55	43.00	44.25				7,400 (72.5)	1,140 (11.18)	2.83	
KCM 60H	19.05	12.70	11.91	5.96	14.25	15.75	28.50	30.00	32.65	3.2	17.5	26.1	5,100 (50.0)	980 (9.60)	1.77	160
KCM 60H-2					27.30	28.80	54.60	56.10	58.80				10,200 (100.0)	1,660 (16.27)	3.56	
KCM 80H	25.40	15.88	15.88	7.94	17.70	20.80	35.40	38.50	40.15	4.0	23.0	32.6	9,100 (89.2)	1,650 (16.18)	2.96	120
KCM 80H-2					34.00	37.10	68.00	71.10	72.80				18,200 (178.5)	2,800 (27.45)	5.84	
KCM 100H	31.75	19.05	19.05	9.54	21.71	24.68	43.45	46.40	48.30	4.8	28.9	39.1	13,100 (128.5)	2,500 (24.50)	4.17	96
KCM 100H-2					41.27	44.23	82.55	85.50	87.40				26,200 (256.9)	4,250 (41.67)	8.23	
KCM 120H	38.10	25.40	22.23	11.11	26.85	30.25	53.70	57.10	59.20	5.6	35.0	48.9	17,900 (175.5)	3,350 (31.84)	6.28	80
KCM 120H-2					51.30	54.70	102.60	106.00	108.10				35,800 (351.1)	5,690 (55.78)	12.45	
KCM 140H	44.45	25.40	25.40	12.71	28.95	32.95	57.90	61.90	63.80	6.4	40.7	52.2	23,400 (229.5)	4,400 (43.13)	7.83	68
KCM 140H-2					55.05	59.05	110.10	114.10	116.00				46,800 (459.0)	7,400 (72.55)	15.50	

NOTES: • Connecting links of KCM 40H to KCM 60H are clip type.
 • Single strand chain can be used with KCM standard sprockets.
 • Multiple strand chain is separately manufactured because center to center distance of rollers "C" is different from that of standard type.