

# HIGHER VISIBILITY

## Antislip Safety Products



**ADVANCE**  
ANTI-SLIP SURFACES P/L

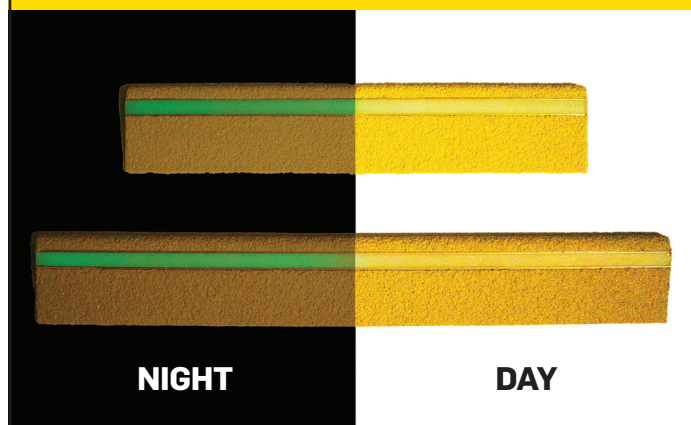
**30** years

Advance Anti-Slip Surfaces produces a specific variety of custom-made Class 1, non-slip, metal backed, ready to install safety products designed to be highly visible to keep workers safe from slip, stumble, trip, tumble, falter and fall incidents.

In our Australian manufacturing facility, we make antislip products for all types of pedestrian access safety requirements. From nosings for all types of stairs or steps, ladder rung covers for any type of access ladder, through to nonslip plates for any type of pedestrian walkway or access ramps for daytime or night time use.

Our complimentary colours of bright Safety Yellow, Higher Visibility Green and Safety Red highlights the leading edge of any step or stairway, ladder rung or walkway and provides a safe visible contrast to most pedestrian access areas.

### PHOTO-LUMINESCENT STAIR NOSING

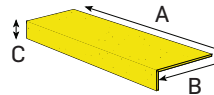


In addition, the photo-luminescent (Glow-in-the-Dark) range enables people to find their way out during a power outage in dark areas or where emergency egress is required.

### HIGHER VISIBILITY STAIR NOSINGS



#### How to Measure Stair Nosings

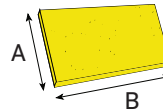


- Metal backed with a carborundum grit and hardened resin surface
- Higher Visibility Safety Yellow, Nano Green, Red
- Safe, Permanent, Effective
- Extremely hard wearing
- Easy to clean
- Australian Standards compliant
- Robust, Durable, Reliable
- Easy to install

### HIGHER VISIBILITY SAFEPLATES



#### How to Measure Safeplates

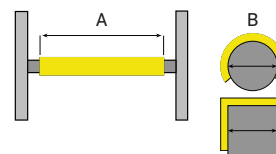


- Metal backed with a carborundum grit and hardened resin surface
- Higher Visibility Safety Yellow, Nano Green, Red
- Sturdy, Strong, resilient
- Easy to clean
- Australian Standards compliant
- Robust, chemical resistant, non-wearing
- Easy to install

### HIGHER VISIBILITY LADDER RUNG COVERS



#### How to Measure Ladder Rung Covers



- Metal backed with a carborundum grit and hardened resin surface
- Higher Visibility Safety Yellow, Nano Green, Red
- Strong, Resilient, Dependable
- Provides Secure Footing on all ladder rungs
- Australian Standards compliant
- Non-wearing, Strong, Durable, Reliable
- Easy to install



**ADVANCE ANTI-SLIP SURFACES Pty. Ltd.**

6A Aristoc Road, Glen Waverley 3150, Victoria, Australia

P: +61 3 9560 4488 F: +61 3 9562 0449 E: sales@advanceantislip.com

[www.advanceantislip.com](http://www.advanceantislip.com)

# HIGHER VISIBILITY

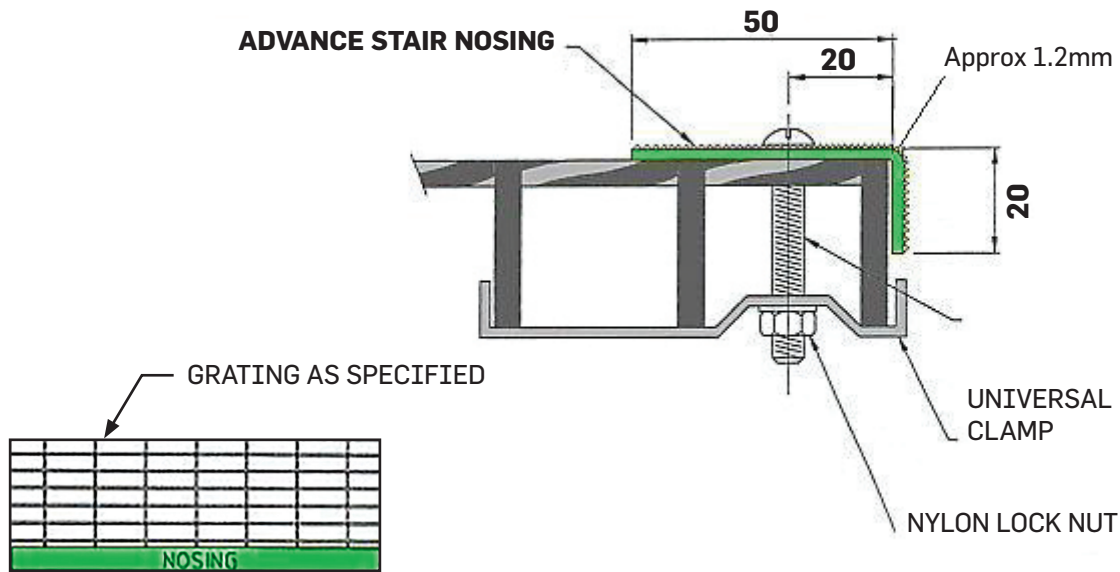
## Antislip Safety Products



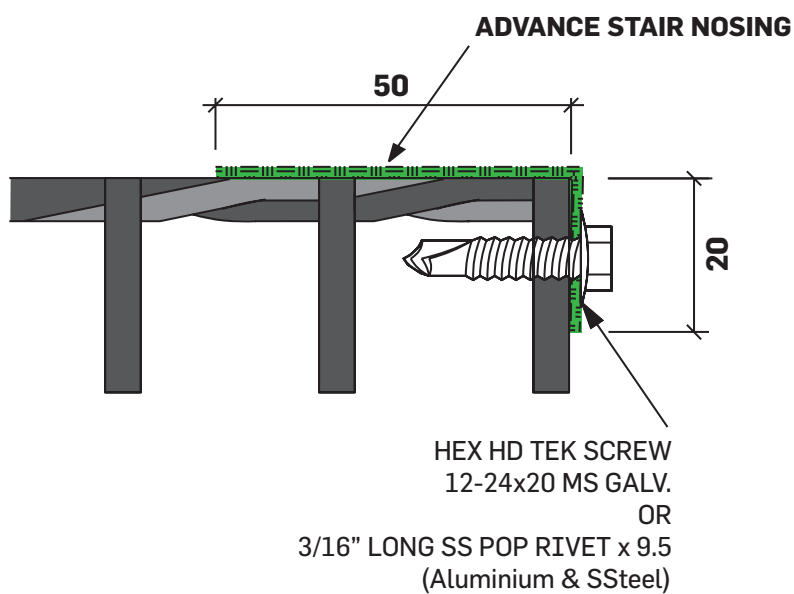
**ADVANCE**  
ANTI-SLIP SURFACES P/L

**30** years

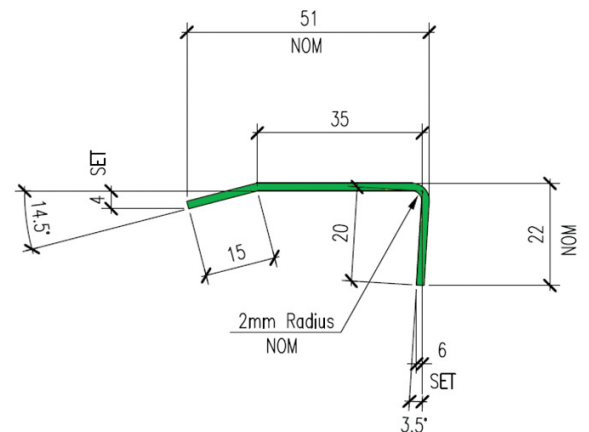
### TOP HOLE PROFILE



### FRONT HOLE PROFILE



### BENDING DETAIL



**ADVANCE ANTI-SLIP SURFACES Pty. Ltd.**

6A Aristoc Road, Glen Waverley 3150, Victoria, Australia

P: +61 3 9560 4488 F: +61 3 9562 0449 E: sales@advanceantislip.com

[www.advanceantislip.com](http://www.advanceantislip.com)