

GIRDER CLAMP

SPECIFICATION FOR 1 TONNE TO 10 TONNE

AS/NZS
4991

AS/NZS
1418.2

Certified

Proof Tested
x2_{WLL}

Product Detail



The AUSTLIFT model GC-1 Girder Clamp is used to attach a lifting point to a beam the clamp is a useful maintenance tool that enables a simple quick, portable and secure devise when connected to a beam. Beam clamps can be used to suspend a load as well as used to lift a beam from the ground. The AUSTLIFT model GC-1 Beam Clamp are light weight relative to their lifting capacity.

Austlift CG-1 Girder clamps are designed to lift steel girders and narrow steel plate or clamped on girder to utilize as a lifting point. Also available in black color in 1 ton and 2 ton, all other sizes upon request.

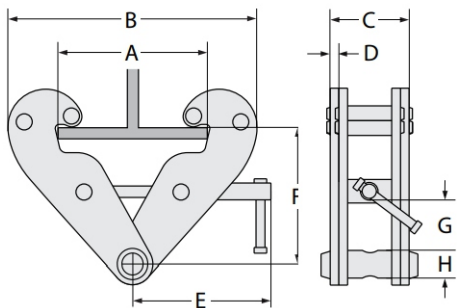
- Capacities available from 1 tonne to 10 tonne.
- Can use on material hardness up to 37RC.
- Individually serial numbered comes with test certificate and user manual.
- Complies to AS4991 & AS 1418.
- Can ONLY be used on vertical lift.**

Application

- Building construction sites
- Ship building yards
- Metal production workshops
- Civil engineering construction
- Entertainment Industry

Features

- High strength and durable
- Identification tag with serial number
- Proof tested to 2 x WLL with certificate
- Minimum Safety factor of 5:1



WLL (T)	CODE	BEAM SIZE (mm)	Wt. (kg)	DIMENSIONS (mm)									
				A			C	D	E	F		G	H
				max	min	max				min	max		
1	132005(B)	75-220	4.5	260	180	360	64	5	215	102	155	25	22
2	132010(B)	75-220	5.2	260	180	360	74	6	215	102	155	25	22
3	132013	80-320	10	354	235	490	103	8	260	140	225	45	24
5	132015	80-320	11.1	354	235	490	110	10	260	140	225	45	28
10	132020	90-320	20	365	320	505	120	12	280	170	235	50	40

NSW Head Office

43 Frank Street
 Wetherill Park, NSW 2164
 02 9757 2277

WA Office

42 Mulgool Road
 Malaga, WA 6090
 08 9248 6674

QLD Office

7 Durbell Street
 Acacia Ridge, QLD 4110
 07 3272 0777

VIC Office

47 Technology Drive
 Sunshine West, VIC 3020
 03 9314 5525