

HEAVY DUTY SNATCH BLOCK

SPECIFICATION FOR 4 TONNE AND 8 TONNE

AS/NZS
2089

Certified

MBS
x5 WLL

High
Tensile
Steel

Snatch Block with Hook Head

Austlift manually operated snatch blocks are popular in the mining, construction, off shore rigging and heavy duty lifting applications.

- Made from hi-tensile steel body and cast steel sheave.

Application

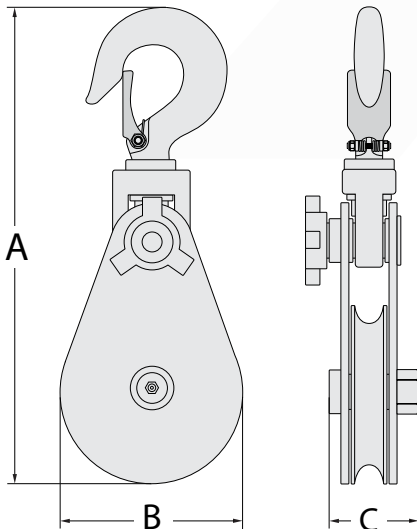
- Building construction sites
- Ship building yards
- Crane production sites
- Mine production sites
- Engineering Workshops

Features

- Quality bush, ball or tapered bearings
- Identification tag with serial number
- Proof tested to 2 x WLL with certificate
- Fitted with shackle or hook head
- Robust construction & powder coated



Ball Bearing equipped



WLL (T)	CODE	SHEAVE DIA (mm)	WIRE ROPE DIA (mm)	UNIT WEIGHT (kg)	DIMENSIONS (mm)		
					A	B	C
4	140504	152	10-13	14	430	160	70
8	140508	203	16-18	16.5	550	210	93

Steel Wire Rope References:

- 6x25Fi+IWRC or 6x36S+IWRC 1770 wire rope is recommended.
- Diameter of the rope can be reduced by using higher tensile rope.
- Check wire rope MBS and load rating of equipment before operation.

AUSTLIFT Lifting your business to a higher level.

NSW Head Office

43 Frank Street
 Wetherill Park, NSW 2164
 02 9757 2277

WA Office

42 Mulgal Road
 Malaga, WA 6090
 08 9248 6674

QLD Office

7 Durbell Street
 Acacia Ridge, QLD 4110
 07 3272 0777

VIC Office

475 Dohertys Road
 Truganina, VIC 3029
 03 9314 5525