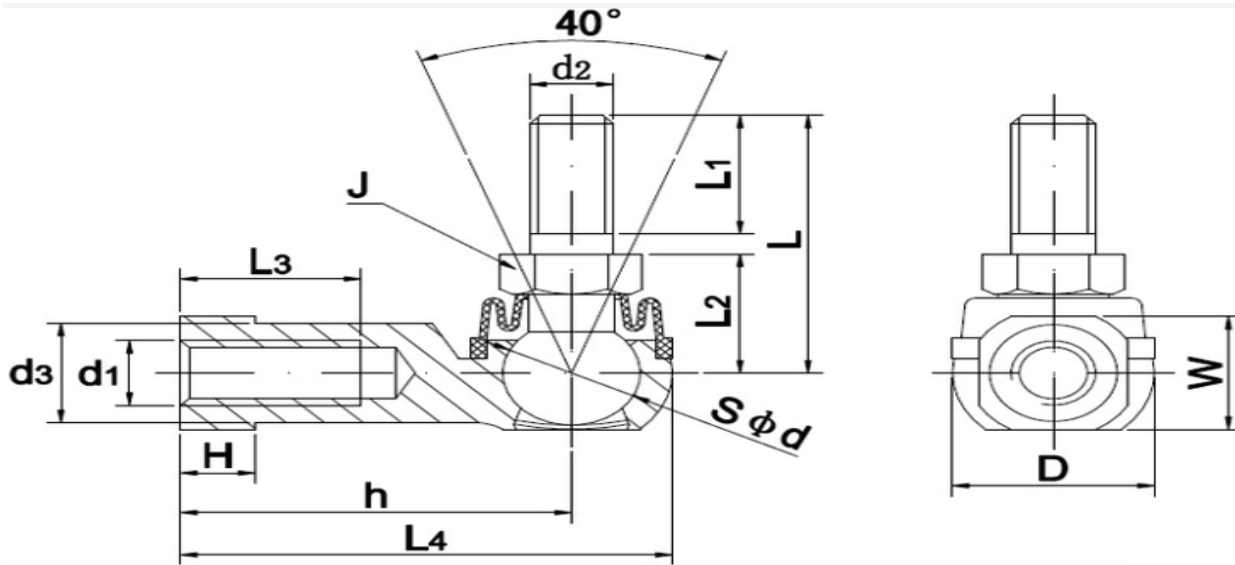


Ball Studs with Male Thread



SDTZ Ball Studs is an 'L' shaped shank with a male left hand thread made up of zinc base alloy and steel.
All Ball Studs are available in either left or right hand thread (Add the suffix 'L' for left hand thread).



BLD Series

Bearing Number	Dimensions												Basic Load rating (KN)	Weight (kg)	
	d1 (6H)	d2 (6g)	d3	L1 (min)	L2	L3 (min)	L4	h	H	W	D	J			S d
BL6BD	M6x1.0	M6x1.0	10		11	16	16	30	5	11	16	10	11.11	9.9	0.037
BL6D	M6x1.0	M6x1.0	10	11	11	16	16	30	5	11	16	10	11.11	9.9	0.037
BL8BD	M8x1.25	M8x1.25	13		14	19	19	36	6	14	19	12	12.7	12.5	0.066
BL8D	M8x1.25	M8x1.25	13	12	14	19	19	36	6	14	19	12	12.7	12.5	0.066
BL10BD	M10x1.5	M10x1.5	14.5		17	23	23	43	7	17	25	14	15.88	18.3	0.11
BL10D	M10x1.25	M10x1.25	14.5	15	17	23	23	43	7	17	25	14	15.88	18.3	0.11
BL12BD	M12x1.75	M12x1.75	17.5		19	26	26	50	8	19	29	17	19.05	26.7	0.16
BL12D	M12x1.25	M12x1.25	17.5	17	19	26	26	50	8	19	29	17	19.05	26.7	0.16

