



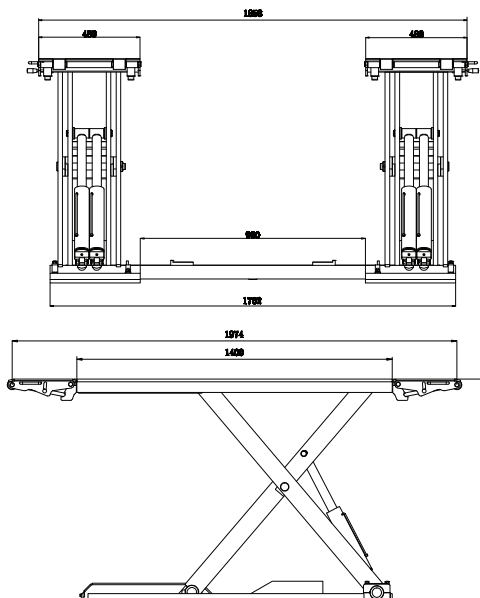
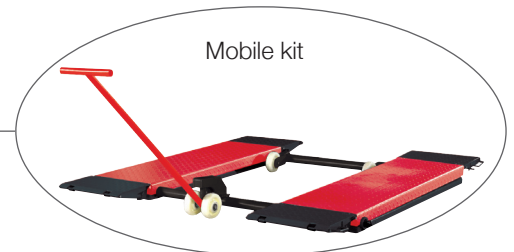
PRODUCT INFORMATION

October 2017



AA35MRS 3.5t Low Profile Mid Rise Scissor Lift

The AA35MRS 3.5t low profile mid rise scissor lift has been designed and engineered specifically to suit tyre service operations. Manufactured with a hydraulic pressure presetting function which avoids raising a vehicle that exceeds the rated capacity of 3,500kg, the AA35MRS has a maximum lifting height of 960mm with a minimum lifting height of 105mm. Featuring an advanced durable and space saving compact design, the AA35MRS low profile mid rise scissor lift has a hydraulic system that keeps both platforms level. The AA35MRS is a functional, reliable and profit generating addition to any busy automotive workshop. And for greater flexibility, the AA35MRS 3.5t low profile mid rise scissor lift is equipped with a 240V 15AMP single phase motor, an automatic lubricating system and oil-less bearings and a mobile kit.



PRODUCT SPECIFICATIONS, FEATURES AND BENEFITS

Lifting capacity of 3,500kg

2.2KW aluminium motor

240V 15AMP single phase motor

Noise: ≤ 70 dB (A)

Maximum lifting height of 960mm

Minimum lifting height of 105mm

Lifting speed: ≤ 40 sec, Lowering speed: ≥ 20 sec.

Platform size: 1400 x 1974 x 480mm

Dual hydraulic locking system

Automatic lubricating system and oil-less bearings

Also available:

AASLCB Scissor Lift Cross Beam

ORDERING INFORMATION

AA35MRS

3.5t Low Profile Mid Rise Scissor Lift

