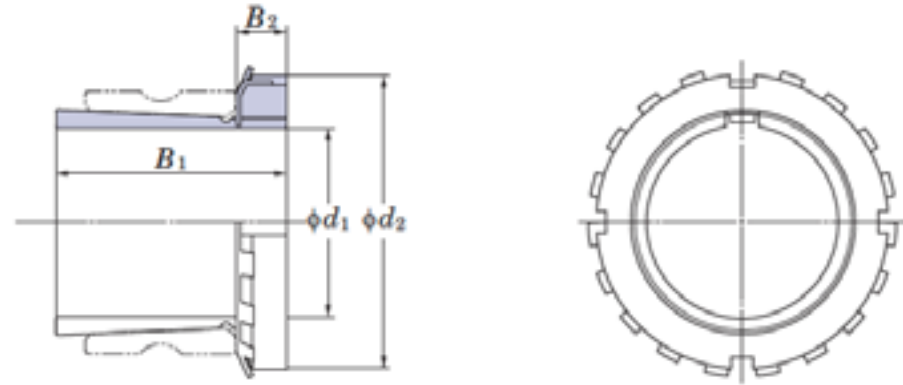
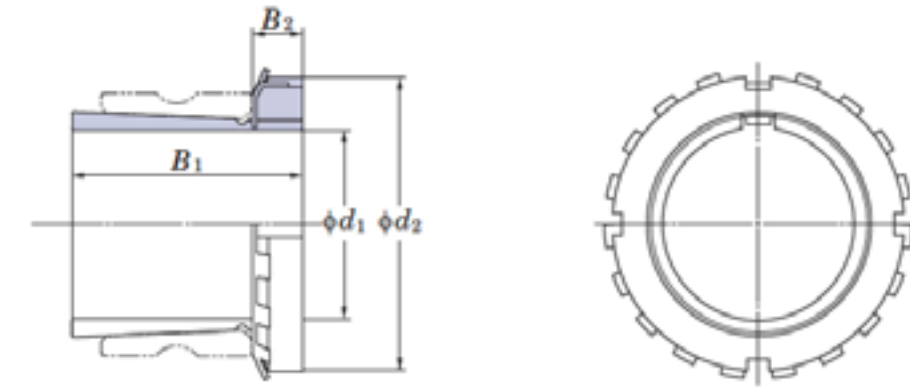


H200 Series



Part No.	d1	B1	B2	d2	N.W.(kg)	Matched Locking nut	Matched Locking washer
H206	25	27	8	45	0.1	KM6	MB6
H207	30	29	9	52	0.13	KM7	MB7
H208	35	31	10	58	0.17	KM8	MB8
H209	40	33	11	65	0.23	KM9	MB9
H210	45	35	12	70	0.27	KM10	MB10
H211	50	37	12	75	0.31	KM11	MB11
H212	55	38	13	80	0.35	KM12	MB12
H213	60	40	14	85	0.4	KM13	MB13
H214	60	41	14	92	0.55	KM14	MB14
H215	65	43	15	98	0.71	KM15	MB15
H216	70	46	17	105	0.85	KM16	MB16
H217	75	50	18	110	1.0	KM17	MB17
H218	80	52	18	120	1.15	KM18	MB18
H219	85	55	19	125	1.35	KM19	MB19
H220	90	58	130	20	1.45	KM20	MB20

H300 Series



Part No.	d1	B1	B2	d2	N.W.(kg)	Matched Locking nut	Matched Locking washer
H306	25	31	8	45	0.11	KM6	MB6
H307	30	35	9	52	0.14	KM7	MB7
H308	35	36	10	58	0.19	KM8	MB8
H309	40	39	11	65	0.25	KM9	MB9
H310	45	42	12	70	0.3	KM10	MB10
H311	50	45	12.5	75	0.35	KM11	MB11
H312	55	47	13	80	0.43	KM12	MB12
H313	60	50	14	85	0.46	KM13	MB13
H314	60	52	14	92	0.72	KM14	MB14
H315	65	55	15	98	0.83	KM15	MB15
H316	70	59	16	105	1.05	KM16	MB16
H317	75	63	18	110	1.20	KM17	MB17
H318	80	65	18	120	1.40	KM18	MB18
H319	85	68	19	125	1.56	KM19	MB19
H320	90	71	20	130	1.69	KM20	MB20
H322	100	77	21	145	2.18	KM22	MB22