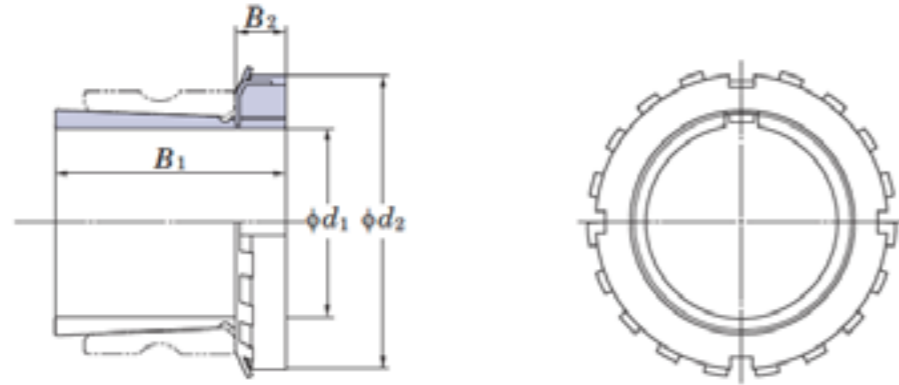
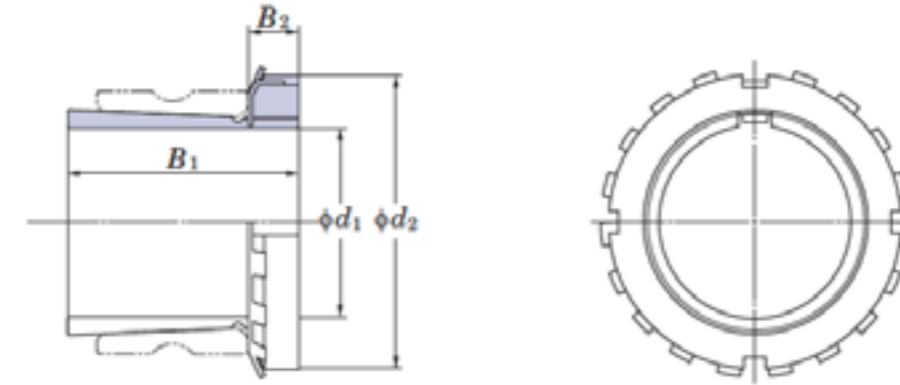


H3100 Series



Part No.	d1	B1	B2	d2	N.W.(kg)	Matched Locking nut	Matched Locking washer
H3120	90	76	20	130	1.80	KM20	MB20
H3122	100	81	21	145	2.25	KM22	MB22
H3124	110	88	22	155	2.65	KM24	MB24
H3126	115	92	23	165	3.65	KM26	MB26
H3128	125	97	24	180	4.35	KM28	MB28
H3130	135	111	26	195	5.5	KM30	MB30
H3132	140	119	28	210	7.65	KM32	MB32
H3134	150	122	29	220	8.4	KM34	MB34
H3138	170	141	31	240	11	KM38	MB38

HE200 Series



Part No.	d1	B1	B2	d2	N.W.(kg)	Matched Locking nut	Matched Locking washer
HE206	1	27	8	45	0.08	KM6	MB6
HE207	1 1/8	29	9	52	0.12	KM7	MB7
HE208	1 1/4	31	10	58	0.19	KM8	MB8
HE209	1 1/2	33	11	65	0.2	KM9	MB9
HE210	1 3/4	35	12	70	0.26	KM10	MB10
HE211	2	37	12	75	0.26	KM11	MB11
HE212	2 1/8	38	13	80	0.35	KM12	MB12
HE213	2 1/4	40	14	85	0.44	KM13	MB13
HE215	2 1/2	43	15	98	0.7	KM15	MB15
HE216	2 3/4	46	17	105	0.81	KM16	MB16
HE217	3	50	18	110	0.87	KM17	MB17
HE218	3 1/4	52	18	120	0.97	KM18	MB18
HE219	3 1/4	55	19	125	1.35	KM19	MB19
HE220	3 1/2	58	130	130	1.45	KM20	MB20