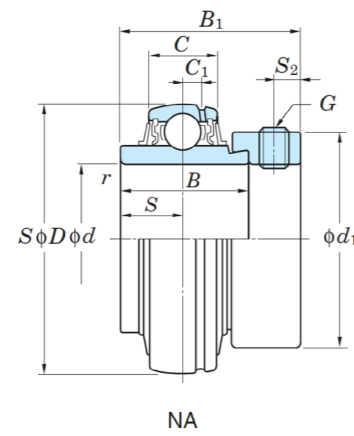
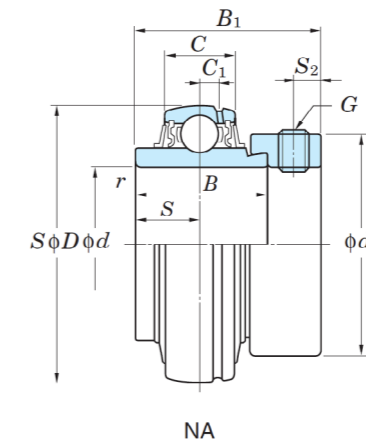


NA300 Series



NA

NA300 Series



NA

| Shaft Dia |      | 2.937 Dimensions |      |      |      |       |      |    |      |          |      | Basic Load ratings<br>kN |      | Factor | Bearing no. | Dimensions |    |      |      |      |    |      |      | Set Screw Brg. Bore |     | Mass kg |
|-----------|------|------------------|------|------|------|-------|------|----|------|----------|------|--------------------------|------|--------|-------------|------------|----|------|------|------|----|------|------|---------------------|-----|---------|
| mm        | inch | D                |      | B    |      | B1    |      | C  |      | r (min.) |      | Cr                       | C0r  | f 0    |             | C1         |    | S    |      | S2   |    | d1   |      | G                   |     |         |
| d         |      | mm               | inch | mm   | inch | mm    | inch | mm | inch | mm       | inch | mm                       | inch | mm     |             | inch       | mm | inch | mm   | inch | mm | inch | mm   | inch                | mm  |         |
| 35        |      | 80               | 3.15 | 38.1 | 1.5  | 51.76 | 2.04 | 25 | 0.98 | -        | -    | 33.4                     | 19.3 | 13.2   | NA307       | -          | -  | 18.3 | 0.72 | -    | -  | 49   | 1.93 | M14                 | 1/2 | -       |
| 40        |      | 90               | 3.54 | 41.3 | 1.62 | 57.1  | 2.25 | 28 | 1.10 | -        | -    | 40.7                     | 24.0 | 13.2   | NA308       | -          | -  | 19.8 | 0.78 | -    | -  | 56.5 | 2.22 | M14                 | 1/2 | -       |
| 45        |      | 100              | 3.94 | 42.9 | 1.69 | 58.7  | 2.31 | 30 | 1.18 | -        | -    | 48.9                     | 29.5 | 13.3   | NA309       | -          | -  | 19.8 | 0.78 | -    | -  | 62   | 2.44 | M16                 | 5/8 | -       |
| 50        |      | 110              | 4.33 | 49.2 | 1.94 | 66.6  | 2.62 | 32 | 1.26 | -        | -    | 62                       | 38.3 | 13.2   | NA310       | -          | -  | 24.6 | 0.96 | -    | -  | 69   | 2.71 | M16                 | 5/8 | -       |
| 55        |      | 120              | 4.73 | 55.6 | 2.19 | 73    | 2.87 | 34 | 1.34 | -        | -    | 71.6                     | 45   | 13.2   | NA311       | -          | -  | 27.8 | 1.09 | -    | -  | 75   | 2.96 | M16                 | 5/8 | -       |
| 60        |      | 130              | 5.12 | 59   | 2.32 | 76.5  | 3.01 | 36 | 1.42 | -        | -    | 81.9                     | 52.2 | 13.2   | NA312       | -          | -  | 29.5 | 1.16 | -    | -  | 81   | 3.19 | M16                 | 5/8 | -       |
| 50.8      | 2    | 120              | 4.72 | 55.6 | 2.19 | 73    | 2.87 | 34 | 1.34 | -        | -    | 71.6                     | 45   | 13.2   | NA311-32    | -          | -  | 27.8 | 1.09 | -    | -  | 75   | 2.96 | M20                 | 3/4 | -       |