

Challenger Chain Block GEN II

Challenger Chain Blocks feature better quality in a new compact design. The extensive range is suitable for many applications in the mining, construction, industrial and automotive industry. These chain blocks have it all; better quality, easy to use, improved safety and all of this with reduced cost.



Features:

- All Challenger models are manufactured to comply with AS1418.2.
- High strength end stop with secondary end anchor for increased safety.
- “T” type hooks for improved load holding integrity
- Gear system design for reduced effort when lifting loads.
- Includes a specially designed hand wheel to eliminate hand chain slippage and pocket wear.
- Encapsulated needle bearings and side plate bearings for smoother operation
- Key internal components are CNC machined before being heat-treated and toughened.
- No aluminium content which ensures suitability for mining applications
- Overall better design and improved finish to prolong life expectancy

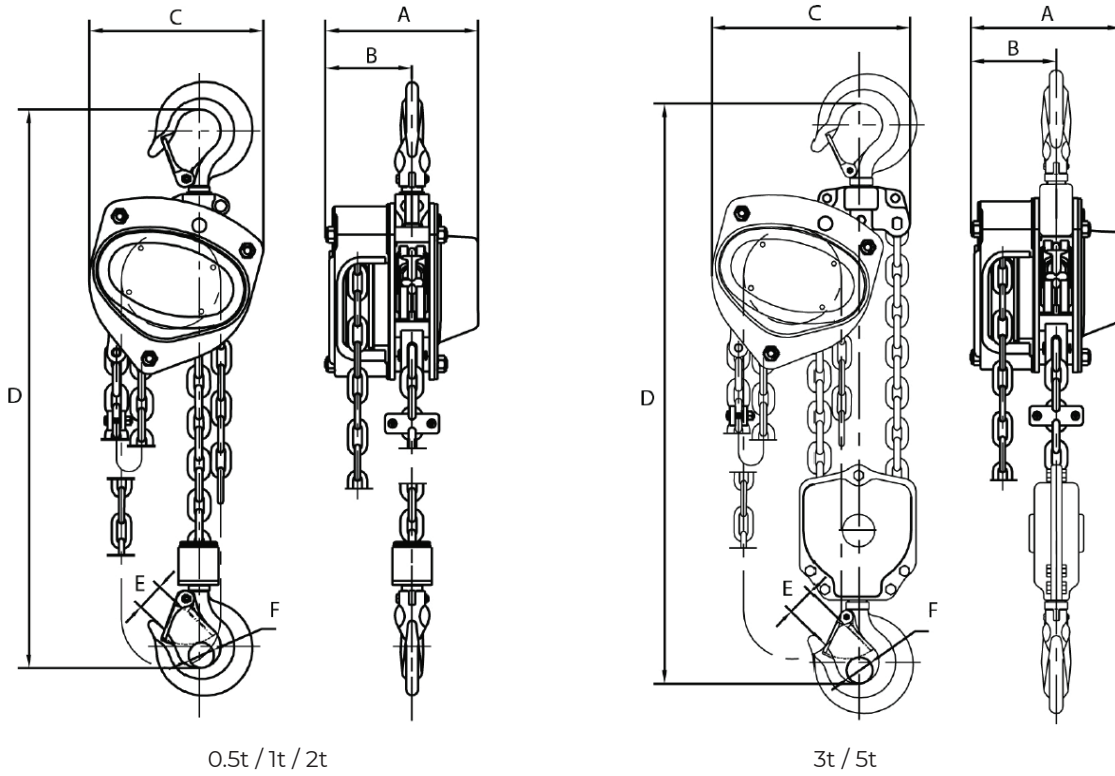
The information shown is to be used as a guide only. Specifications are subject to change without notice. All materials handling or lifting jobs should be assessed individually. Pacific Hoists products are NOT to be used for lifting or lowering persons.

Specifications

Capacity	500 kg		1 TONNE		2 TONNE		3 TONNE		5 TONNE	
Stock Code	CCB203	CCB206	CCB213	CCB216	CCB223	CCB226	CCB233	CCB236	CCB253	CCB256
Lift Height (m)	3	6	3	6	3	6	3	6	3	6
Test Load (kg)	750		1500		3000		4500		7500	
Effort to Lift Full Load (N)	210		285		355		340		400	
No. of Falls	1						2			
Hand Chain (mm x mm)	Ø5 x 23.7									
Hand Chain Drop (m)	2	5	2	5	2	5	2	5	2	5
Headroom (mm)	280		330		385		510		615	
Net Weight (kg)	9	10	12	16	20	25	23	29	39	50

The information shown is to be used as a guide only. Specifications are subject to change without notice. All materials handling or lifting jobs should be assessed individually. Pacific Hoists products are NOT to be used for lifting or lowering persons.

Dimensions (in mm)



CAPACITY	500 KG	1 TONNE	2 TONNE	3 TONNE	5 TONNE
A	128	142	175	158	183
B	75	76	88	80	90
C	130	150	185	220	255
D	280	330	385	510	615
E	22	26	35	37	43

Sydney - Head Office

24 Foundry Road
Seven Hills, NSW 2147
Australia

+61 (0)2 8825 6900

+61 (0)2 8825 6999

Western Australia

8 Monash Gate,
Jandakot, 6164 WA
Australia

+61 (0)8 9417 2933

+61 (0)8 9417 3533

Auckland NZ

11 Druces Road
Wiri, Auckland 2104
New Zealand

+64 (0)9 263 5566

+64 (0)9 263 5567

