

G100 GRAB HOOK CLEVIS WITH SAFETY PIN

SPECIFICATION FOR 8MM TO 16MM



G100 Grab Hook With Safety Pin (Clevis Type, GC)

Except for shorting chain slings, GC type clevis grab hook provides extra secure function by added secure pins, which prevents chain to disengage from the hook.

Austlift GC grab hooks come with supporting lugs to allow no reduction of the working load limit, also equipped with a safety pin. the clevis is designed for easy connection of chain

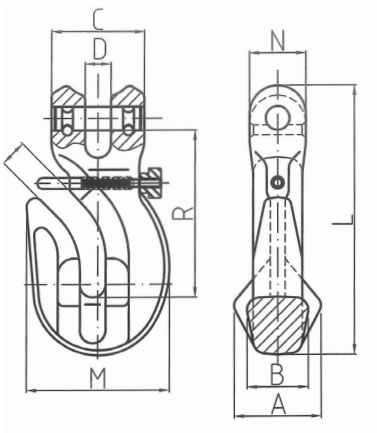
- Marked with chain size, designation, grade, manufacture quality mark and Austlift branded.
- 25% higher work load limit than G80.
- Batch tested, test certificates available upon request.

AS/NZS 3776	Certified	Safety Factor 4-1	G100 Alloy Steel	Size from (mm) 8-16
--------------------	------------------	--------------------------	-------------------------	----------------------------

SIZE (mm)	CODE	WLL (T)	Wt. (kg)	DIMENSIONS (mm)							
				A	B	C	R	D	E	L	M
8	171508	2.5	0.62	35.5	25	38	66	10	10.5	109	58
10	171510	4	1.16	44	32	46	82	12	13	134	71.6
13	171513	6.7	2.6	57	40	59.5	107	15	15.5	175.5	96
16	171516	10	4.2	65	51.2	70	46	129	18.5	19	107

Markings (as per AS 3776) :

- A : Austlift G100 Masterlink Markings Chain Size
- B : Batch Number



AUSTLIFT Lifting your business to a higher level.

NSW Head Office

43 Frank Street
 Wetherill Park, NSW 2164
 02 9757 2277

WA Office

42 Mulgal Road
 Malaga, WA 6090
 08 9248 6674

QLD Office

7 Durbell Street
 Acacia Ridge, QLD 4110
 07 3272 0777

VIC Office

475 Dohertys Road
 Truganina, VIC 3029
 03 9314 5525