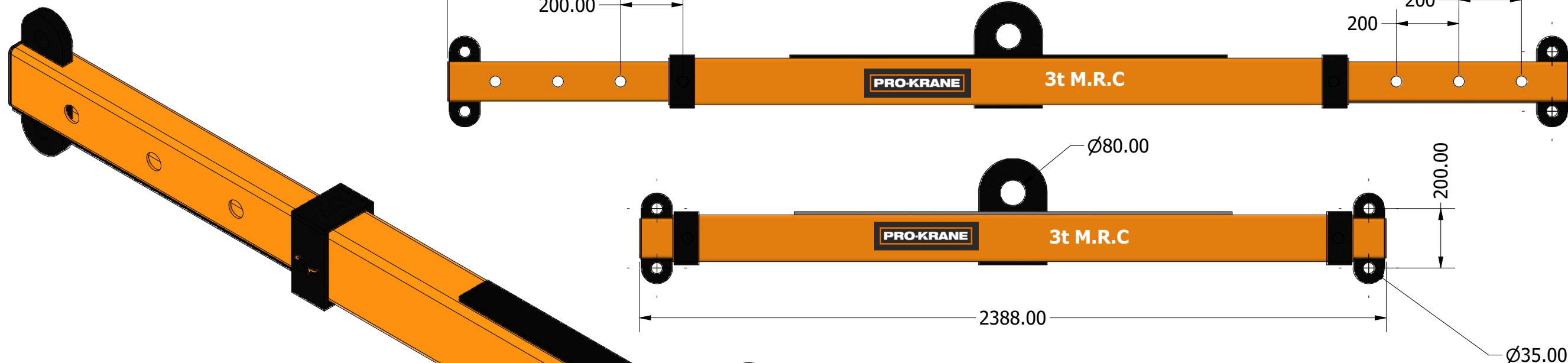
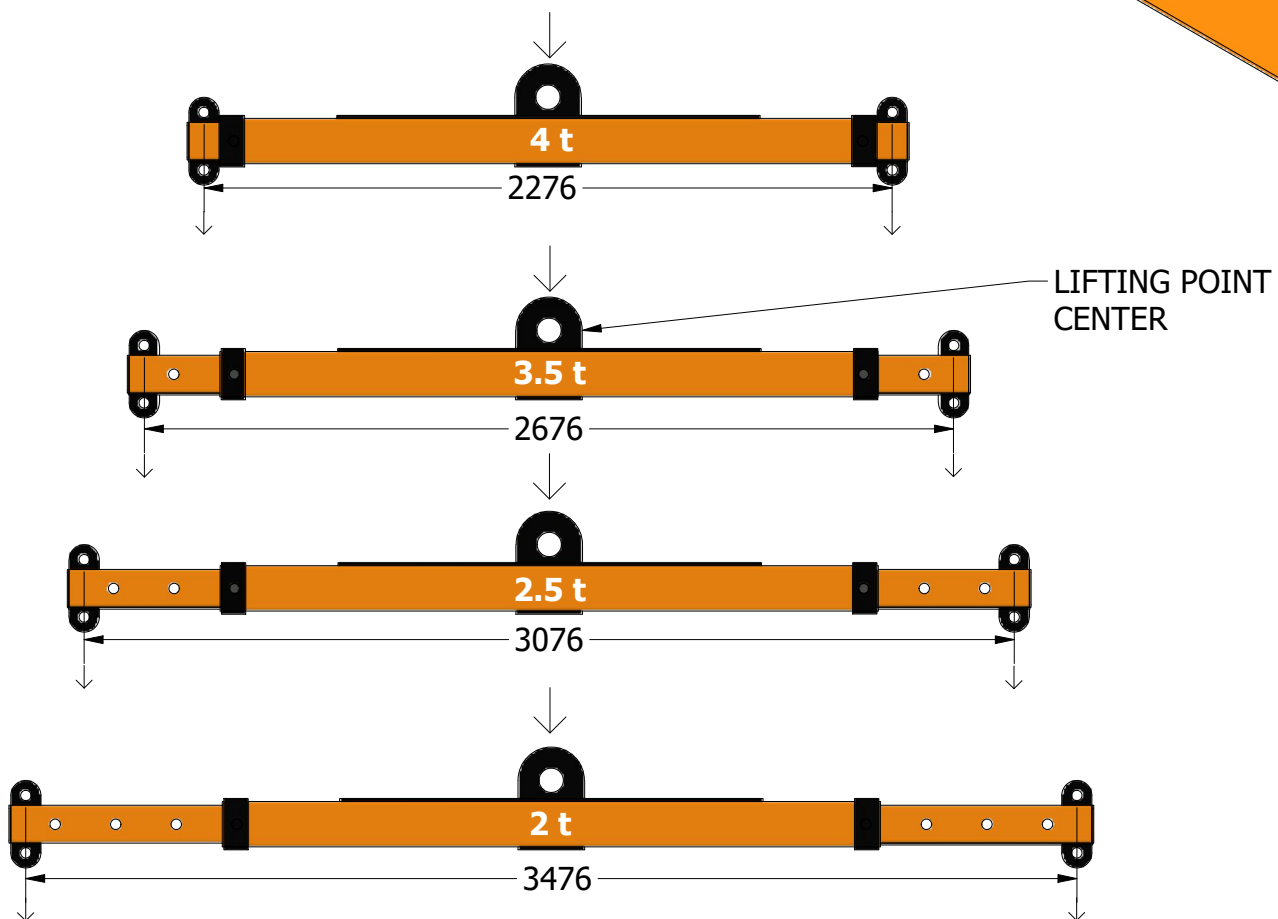


PHSB15000



LIFTING BEAM

3 point lift



- TECHNICAL DATA:**
- MODEL : PHSB15000
 - CLASS : A3
 - SPREADER BEAM CAPACITY : 15000 Kg
 - PROOF LOAD TEST: YES
 - COMPLIANCE STANDARD: AS4991
 - NDT WELD INSPECTED: YES

- TREATMENT:**
- PRIMER : ZINC PRIMER
 - TOP COAT : FINISH COAT
 - FINISHED COLOUR : ORANGE AS STANDARD
 - OPTIONAL COLOURS AND FINISH UPON REQUEST

SPREADER BEAM

4 point lift



The property and copyright in this drawing are vested in **PRO-KRANE** without whose permission this drawing may not:



Title 15t-SPREADER/ADJUSTABLE LIFTING BEAM

Project SPREADER BEAM

- be made available by any means whatsoever to any person nor
- be copied, reproduced or otherwise dealt with in any manner the infringes any such rights
Dimensions may change without notice

DRAWN **CHECKED** **SCALE**

DWG No: PHSB15000

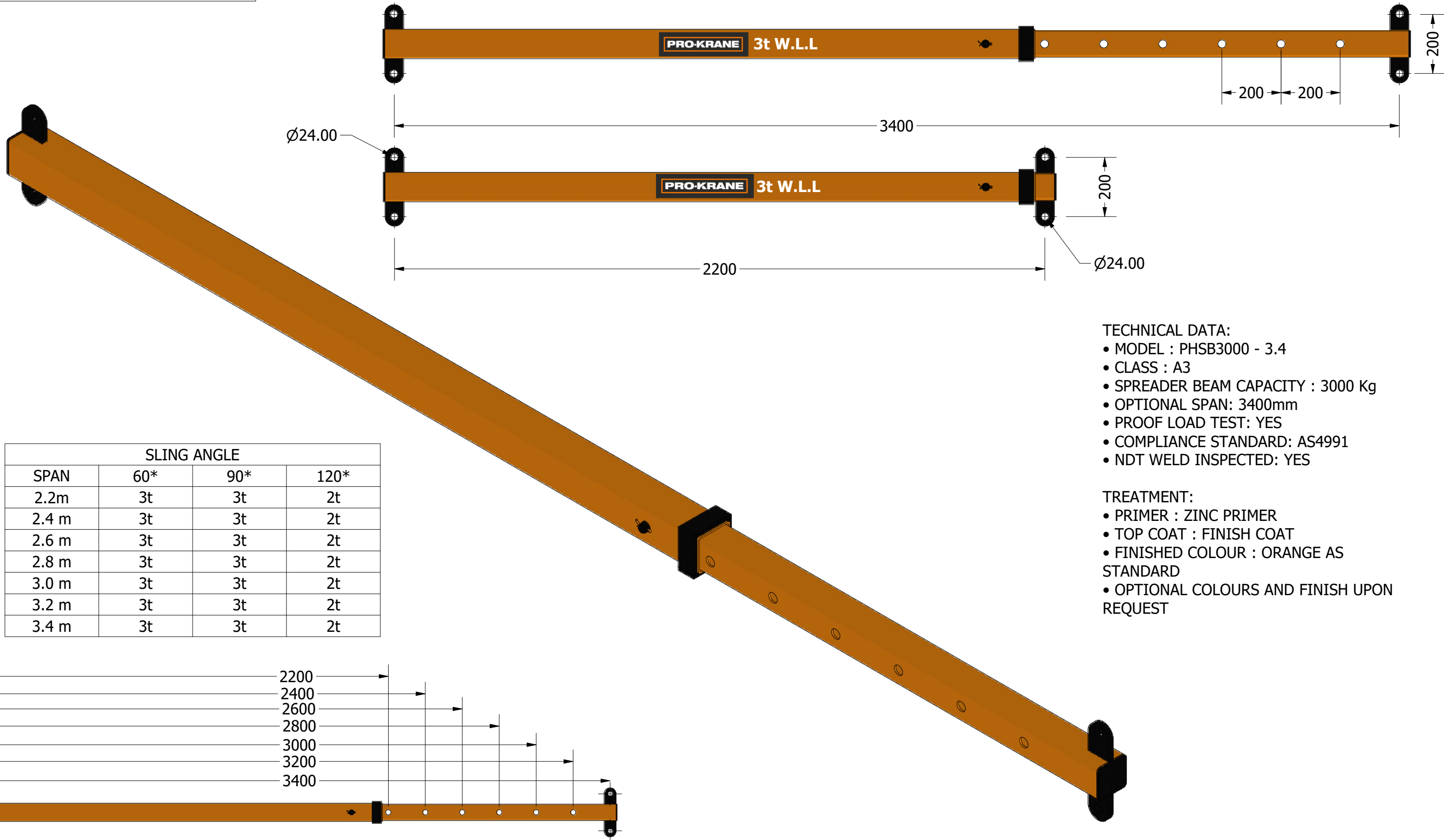
Sheet 1 of 1

Sheet

Revision

REVISION HISTORY

REV	DESCRIPTION	APPROVED	DATE



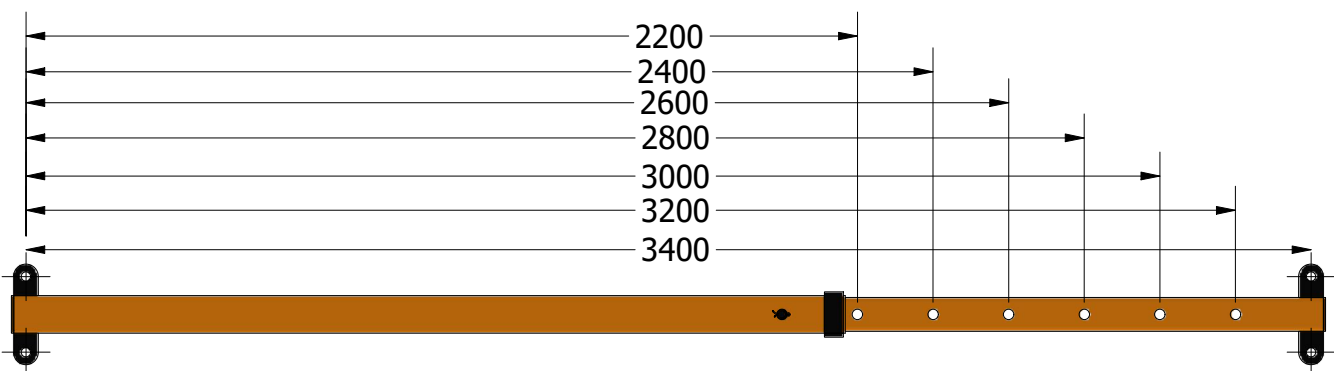
SPAN	SLING ANGLE		
	60*	90*	120*
2.2m	3t	3t	2t
2.4 m	3t	3t	2t
2.6 m	3t	3t	2t
2.8 m	3t	3t	2t
3.0 m	3t	3t	2t
3.2 m	3t	3t	2t
3.4 m	3t	3t	2t

TECHNICAL DATA:

- MODEL : PHSB3000 - 3.4
- CLASS : A3
- SPREADER BEAM CAPACITY : 3000 Kg
- OPTIONAL SPAN: 3400mm
- PROOF LOAD TEST: YES
- COMPLIANCE STANDARD: AS4991
- NDT WELD INSPECTED: YES

TREATMENT:

- PRIMER : ZINC PRIMER
- TOP COAT : FINISH COAT
- FINISHED COLOUR : ORANGE AS STANDARD
- OPTIONAL COLOURS AND FINISH UPON REQUEST



The property and copyright in this drawing are vested in PRO-KRANE without whose permission this drawing may not: a. be made available by any means whatsoever to any person nor b. be copied, reproduced or otherwise dealt with in any manner the infringes any such rights Dimentiones may change without notice						Title 3t ADJUSTABLE SPREADER BEAM	
						Project SPREADER BEAM	
REVISION HISTORY			DRAWN	CHECKED	SCALE	DWG No: PHSB3000	
			REV	DESCRIPTION	APPROVED	DATE	Sheet 1 of 1